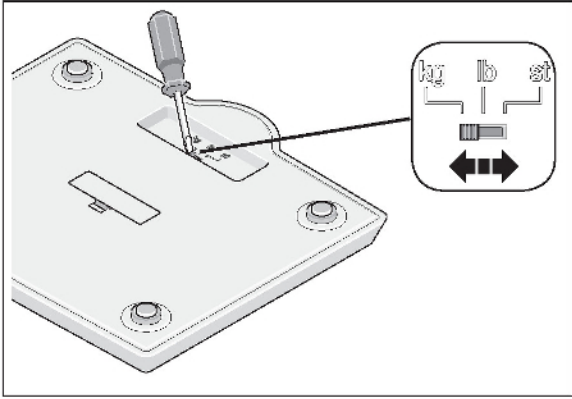
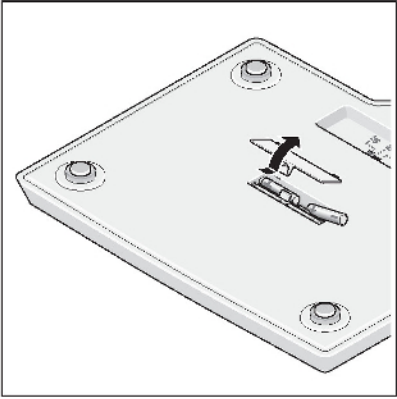


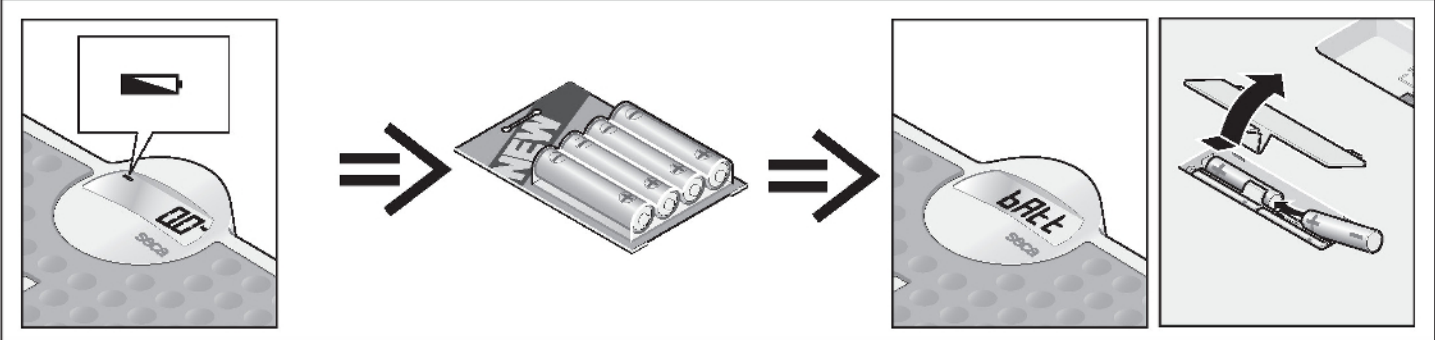
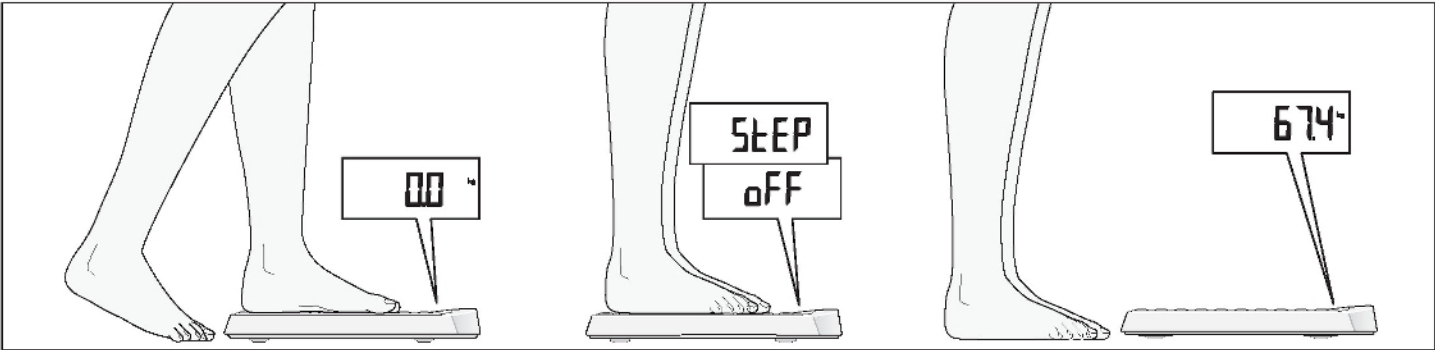
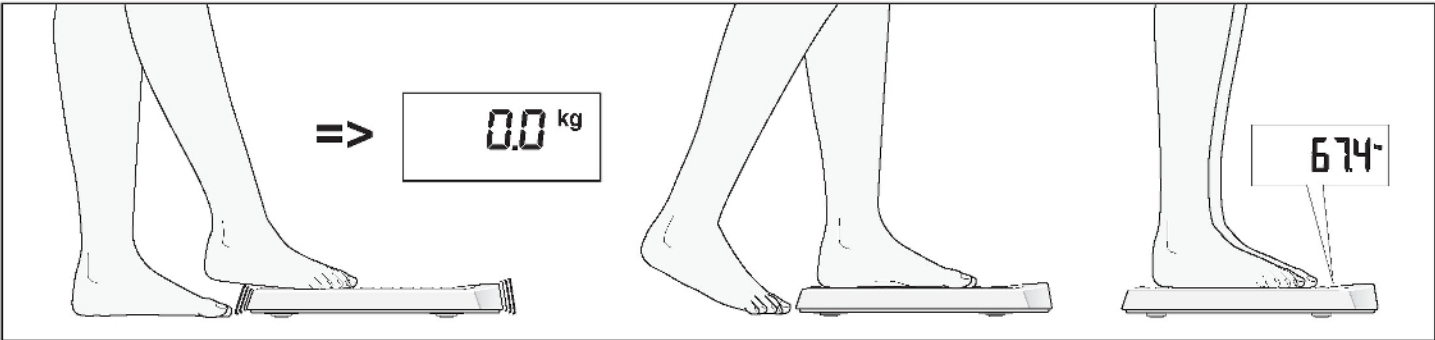
• Before you start... •





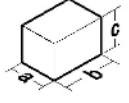
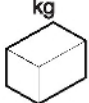



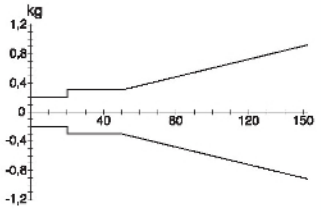
www.evocare.com.au  
Ph: 07 3355 8000 Fax: 07 3355 5043  
Email: sales@evocare.com.au

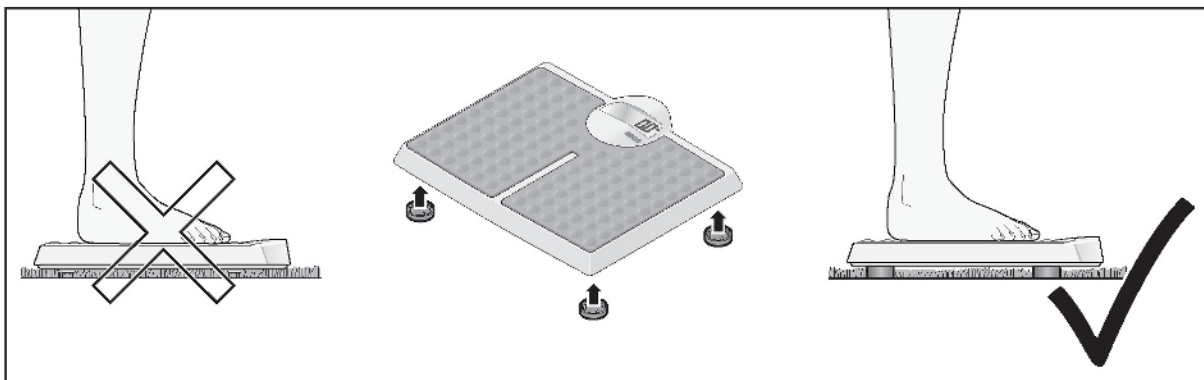


• Weighing •



## • Technical data •

						
200 kg	0,1 kg	a = 370 mm	4,4 kg	4 x AAA	+10°C ... +40°C	
440 lb	0.2 lb	b = 430 mm				
31.3 st		c = 45 mm				



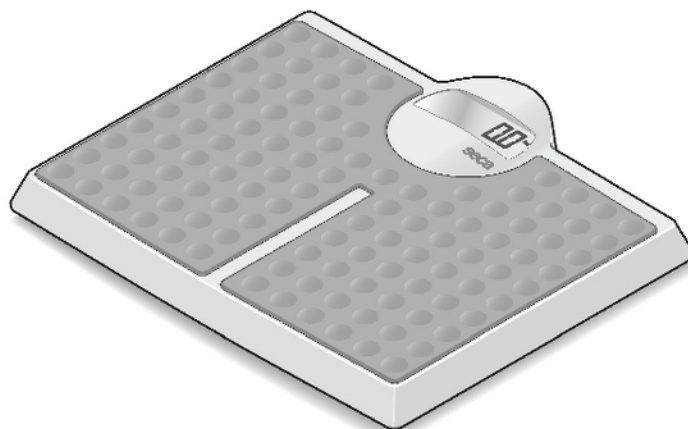
## • Declaration of conformity •

The personal scales **seca 813** largely fulfils the electromagnetic compatibility guideline 89/336/EEC.

**- Warranty**

A two-year warranty from date of delivery applies to defects attributable to poor materials or workmanship. All moveable parts - batteries, cables, mains units, rechargeable batteries etc. - are excluded. Defects which come under warranty will be made good for the customer at no charge on production of the receipt. No further claims can be entertained. The costs of transport in both directions will be borne by the customer should the equipment be located anywhere other than the customer's premises. In the event of transport damage, claims under warranty can be honoured only if the complete original packaging was used for any transport and the scale secured and attached in that packaging just as it was when originally packed. All the packaging should therefore be retained. A claim under warranty will not be honoured if the equipment is opened by persons not expressly authorised by seca to do so. We would ask our customers abroad to contact their local sales agent in the event of a warranty matter.

## seca 813



seca gmbh & co. kg.  
 Medizinische Waagen und Messsysteme  
 Hammer Steindamm 9-25  
 D-22089 Hamburg  
 Germany  
 Telefon +49 40 20 00 00 0  
 Telefax +49 40 20 00 00 50  
 e-mail [info@seca.com](mailto:info@seca.com)