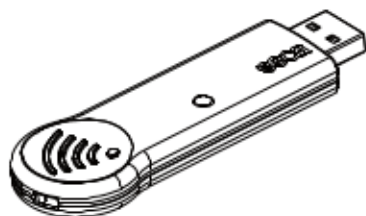


seca 456



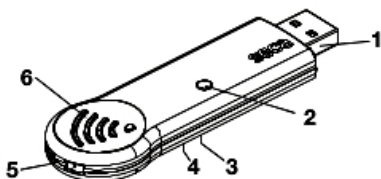
1. INTENDED USE




The seca **seca 360° wireless USB adapter 456** is an accessory for operating a PC in a **seca 360° wireless** network. The USB adapter allows wireless data transmission between the PC and other **seca 360° wireless** devices. The USB adapter only works on PCs with seca PC software installed.

2. SAFETY INFORMATION

- Follow the instructions in this user manual.
- Keep the user manual in a safe place.
- Follow the instructions in your PC manual and those for the **seca 360° wireless** devices used.
- To prevent malfunctions, do not operate or store the device in an environment in which it is exposed to high humidity, vibrations, dust, heat or direct sunlight.
- Do not start up the device immediately after transporting it. Severe temperature fluctuations and changes in humidity may lead to moisture forming on the device. This may damage both the device itself and the PC to which it is connected.
- Make sure the device cannot be inadvertently disconnected from the PC to prevent malfunctions and to avoid improper usage.
- Make sure HF devices, such as mobile phones and televisions, are kept at a minimum distance of approx. 1 metre to prevent incorrect measurements or interference with wireless transmission.
- Do not open the device housing. This may lead to damage to the device. No warranty will be provided by seca in such cases.

3. OVERVIEW



No.	Element/symbol	Function/meaning
1	USB stick	Plugged into a free USB port on the PC
2	LED	<ul style="list-style-type: none">• Red: USB adapter correctly detected by PC• Blue: data being transmitted
3		Refer to user manual
4		Device complies with EC standards and directives
5	Security loop	For attaching a lanyard, for example: make sure the USB adapter cannot be inadvertently disconnected from the PC
6		Device is equipped with a radio module, data are received and transmitted wirelessly

4. OPERATION

The USB adapter is supplied ready to use.

1. Plug the USB adapter into a free USB port on your PC.
2. Make sure the USB adapter cannot be inadvertently disconnected from the USB port.
3. Set up a wireless network as described in the Administrator's Manual for the seca PC software.

5. CLEANING

No cleaning is required in normal use.

- ◆ If required, clean the housing with a damp cloth.

ATTENTION!

Damage to device and malfunctions may be caused by unsuitable cleaning agents

- Do not use solvents, corrosive liquids or spray cleaners.

DISPOSAL



Do not dispose of the device in household waste. The device must be disposed of properly as electronic waste. Comply with the national provisions applicable in your country. For further information contact our service department at:

EVOCARE AUSTRALIA PTY LIMITED

A.B.N. 98 078 566 604

Trading as **EVOCARE** and **L&M EQUIPMENT**

P.O. Box 1144, Stafford Qld. 4053

Ph: 07 3355 8000 Fax: 07 3355 5043

Website: <http://www.evocare.com.au>

Email: sales@evocare.com.au

workshop@evocare.com.au

warehouse@evocare.com.au

accounts@evocare.com.au

