



Etac Clean

shower commode chairs



Etac Clean

Etac Clean is secure, safe and simple for both users and carers. With practical functionality and design, every detail of the chair has been developed to give the user a positive and safe bathroom experience.

Easy to fit and manoeuvre

Etac Clean is extremely easy to operate, thanks to the width of the push handle. The clever design can be seen throughout the entire chair. The upright handle ensures that Clean is a perfect fit, even over wall-mounted toilets, and the chair is open at the back to facilitate access.

Comfortable and practical foot support

The foot support is unique and can be pushed under the seat when not in use. The soft curved surface provides good comfort for the feet, which are also protected by the foot support's side protection.

All other variants of Clean also have these features, but they also have additional functionality to meet other needs.



Etac Clean shower commode chair

44 cm (17¼"), 4 lockable castors, lagoon green	80229209
44 cm (17¼"), 4 lockable castors, white	80229269
49 cm (19¼"), 4 lockable castors, lagoon green	80229210
49 cm (19¼"), 4 lockable castors, white	80229270
49 cm (19¼"), 2 lockable castors, lagoon green	80229213
49 cm (19¼"), 2 lockable castors, white	80229273
49 cm (19¼"), 4 lockable castors, double box, lagoon green	80229220
49 cm (19¼"), 2 lockable castors, double box, lagoon green	80229223
49 cm (19¼"), 4 lockable wheels, backrest upholstery, panholder	80229286
49 cm (19¼"), 2 lockable castors, soft back, white	80229305
49 cm (19¼"), 2 lockable castors, 2 pcs double box, blue/white	80229307
55 cm (21¾"), 4 lockable wheels, backrest upholstery, panholder, white	80229287
55 cm (21¾"), 4 lockable castors, lagoon green	80229211
55 cm (21¾"), 4 lockable castors, white	80229271
55 cm (21¾"), 2 lockable castors, lagoon green	80229214
55 cm (21¾"), 2 lockable castors, white	80229274
55 cm (21¾"), 4 lockable castors, double box, lagoon green	80229221
55 cm (21¾"), 2 lockable castors, double box, lagoon green	80229224
55 cm (21¾"), 2 lockable castors, soft back, white	80229306
55 cm (21¾"), 2 lockable castors, 2 pcs double box, blue/white	80229308
60 cm (23½"), 2 lockable castors incl. heightening spacers, lagoon green	80229215
60 cm (23½"), 2 lockable castors incl. heightening spacers, white	80229275

Width

52 cm

Width between arm supports

43.5 cm

Seat height

44 / 49 / 55 / 60 cm

Seat width

48 cm

Seat depth

44 cm

Weight

44 cm: 13.5 kg

49 cm: 14.0 kg

55 cm: 14.5 kg

60 cm: 15 kg

Maximum user weight

130 kg

Material

Chassis: Powder-painted steel tubing

Seat/back support: Polypropylene

Arm supports: Polypropylene

Foot support: Polypropylene

Castor brackets: Polyamide

Castors, lockable, ball-bearing: Polyamide/TPE



Maintenance

Clean the product with a solvent-free cleaning agent (pH level 5–9), or with a 70 % disinfectant solution. Can be decontaminated at max 85° C / 185° F is so required.

Features



Slim but roomy

The smart design gives Etac Clean a large and comfortable seating area even though the chair is neat and slim.



Fits over the toilet

Thanks to the upright operating handle, the chair is a perfect fit, even over wall-mounted toilets.



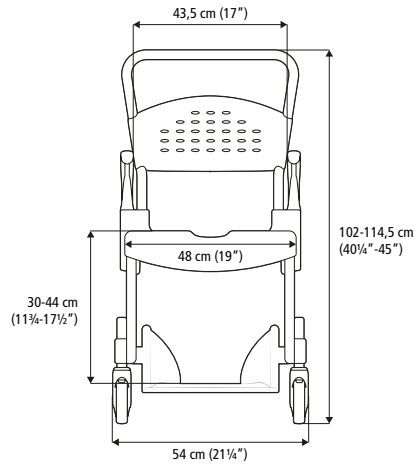
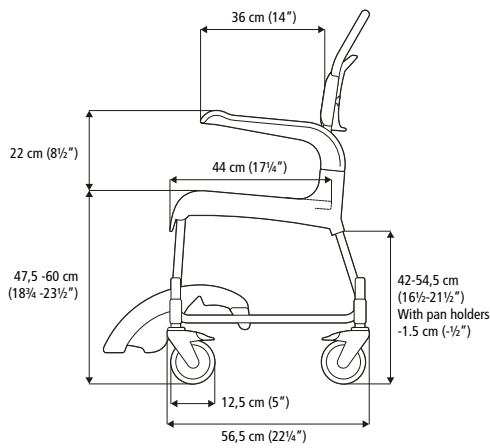
Easy access

The chair is open at the back to facilitate access for hygiene purposes.



Foot support designed for feet

The practical foot support has a soft, rounded shape which gives the feet extra comfort and protection.





Comfort and support

The soft enveloping seat and back support provide stability, warmth and softness.

Integrity in exposed situations

Clean Comfort is designed to increase the feeling of integrity and dignity. The comfort padding protects and hides the user without reducing accessibility for the carers.

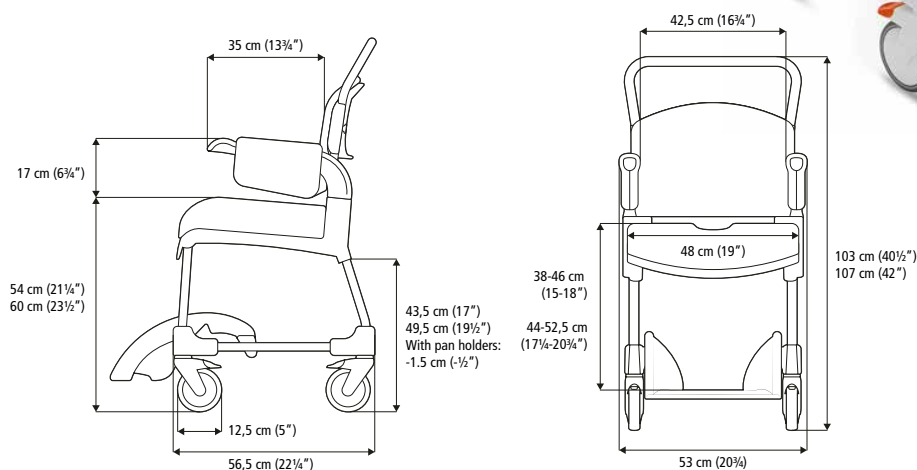
Etac Clean Comfort

All the features of Etac Clean can also be found in this chair, but with even greater comfort. The seat, arm support and back support are padded and guarantee soft and comfortable seating.

Soft and warmth for those who need it

Etac Clean Comfort enhances the feeling of well-being for those who need a little extra comfort and support in the bathroom. The water-repellent and heat-reflective cover of the back support and arm supports helps the user to stay warm. The contoured seat offers comfortable support for the thighs and envelops the user for a safer and more comfortable feeling.

Etac Clean Comfort has the same basic benefits as other members of the Clean family – but now with even greater comfort.



Etac Clean Comfort

49 cm (19 1/4"), incl. Comfort Cover, Comfort Seat Soft,
4 lockable castors, white
55 cm (21 3/4"), incl. Comfort Cover, Comfort Seat Soft,
4 lockable castors, white

80229298

80229299

Width

52 cm

Width between arm supports

41 cm

Seat height

54 / 60 cm

Seat width

50 cm

Seat depth

44 cm

Opening: depth x width

36.9 x 18.2 cm

Weight

49 cm: 13.5 kg

55 cm: 14 kg

Maximum user weight

130 kg

Material

Comfort Cover: Polyethylene
Comfort Seat Soft: Polyurethane
Chassis: Powder-painted steel tubing
Seat/back support: Polypropylene
Arm supports: Polypropylene
Foot support: Polypropylene
Castor brackets: Polyamide
Castors, lockable, ball-bearing: Polyamide/TPE

Colour

Grey

Design

A&E Design



Maintenance

Clean the product with a solvent-free cleaning agent (pH level 5–9), or with a 70% disinfectant solution. Can be decontaminated at max 85°C / 185°F if so required.



The same chair for all heights

The smart design means that the chair is a perfect fit above all wall-mounted toilets, regardless of height.

Additional support for the legs

In the event of additional need for leg and foot support, various accessories are available, e.g. split foot supports and calf supports.

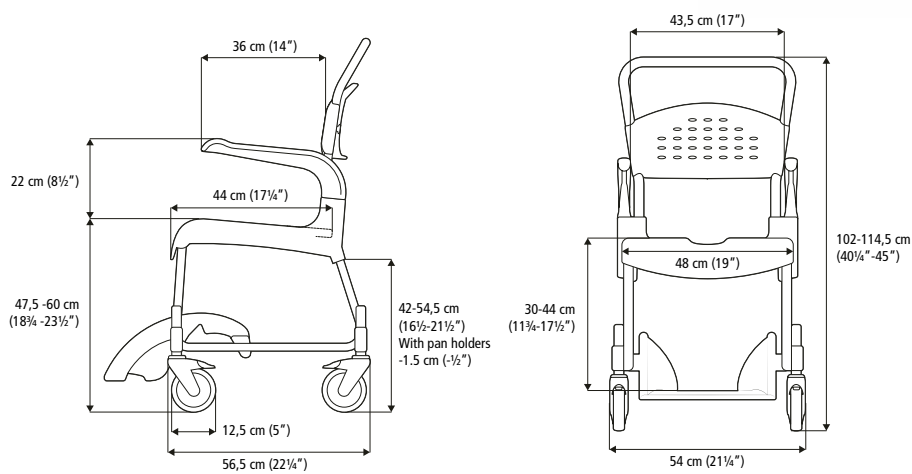
Etac Clean Height Adjustable

In addition to all the features of the basic model, this variant allows you to adjust the height of the seat.

Adjust the height for a perfect fit

The possibility of adjusting the seat height means that Etac Clean Height Adjustable can be tailor-made to suit the user's needs – for example to make transfers easier or to fit perfectly over the toilet. Adjustment is simple and no tools are required.

Etac Clean Height Adjustable has the same basic benefits as the other members of the Clean family – but is also height-adjustable up to 60 cm, and has a greater range of foot supports and calf supports.



Etac Clean Height Adjustable

4 lockable wheels, white

80229208

Maximum user weight

130 kg

Width

55 cm

Material

Chassis: Powder coated steel tubing

Seat/Back support: Polypropylene

Arm supports: Polypropylene

Foot support: Polypropylene

Castors with ball, bearings: Polyamide/TPE/Stainless steel tubing

Castor height adjustment tubes: Stainless steel

Width between arm supports

43.5 cm

Seat height

47.5–60.0 cm

Seat width

48 cm

Seat depth

44 cm

Weight

14.2 kg



Maintenance

Clean the product with a solvent-free cleaning agent (pH level 5–9), or with a 70% disinfectant solution. Can be decontaminated at max 85°C / 185°F if so required.



Self propelled

Easy to operate for the independent user.

Safe and simple transfer

The flat seat and the brake position facilitate lateral transfer.

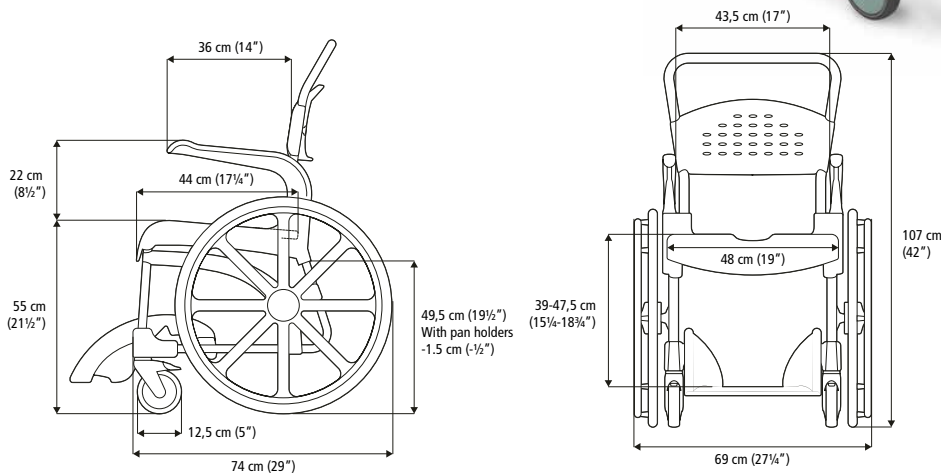
Etac Clean 24"

This variant of Etac Clean is suitable for those who can operate the chair independently and want to maximise their mobility.

Easy to manoeuvre, for the independent user

The Etac Clean 24-inch wheels are positioned to make it easy to manoeuvre the chair without compromising user safety or comfort. It is easy to transfer to and from the chair thanks to the large, unrestricted seat in front of the wheels. The brake handles are also positioned below the seat so that they do not get in the way during transfer, while remaining easy to reach.

Etac Clean 24" has the same basic benefits as the other members of the Clean family – but allows the user to operate the chair independently.



Etac Clean 24"

55 cm (21 1/2") with 24" rear wheels, white
55 cm (21 1/2") with 24" rear wheels, lagoon green

80229276
80229216

Width

69 cm

Width between arm supports

43.5 cm

Seat height

55 cm

Seat width

48 cm

Seat depth

44 cm

Weight

20 kg

Maximum user weight

130 kg

Material

Rear wheel adapter: aluminum
Rear Wheels: polyamide, solid tires
Chassis: Powder-painted steel tubing
Seat/back support: Polypropylene
Arm supports: Polypropylene
Foot support: Polypropylene
Caster brackets: Polyamide
Castors, lockable, ball-bearing: Polyamide/TPE



Maintenance

Clean the product with a solvent-free cleaning agent (pH level 5–9), or with a 70% disinfectant solution. Can be decontaminated at max 85°C / 185°F if so required.

Accessories



Soft back support

80209225
Adjustable with velcro straps.
Washing at max 60° C (140° F).



Comfort Cover

80209228
A soft back support with integrated arm support pads. Material: polyethylene. Cleaning max. 60° C (140° F) or with alcohol wipe.



Side Support

80209509
Adjustable in width.
Material: Polyester fabric, Velcro, polyethylene. Washing at max. 60° C (140° F).



Comfort Arm Pads

80209226
Soft and warm, leaving the handles free to ensure a firm grip when standing up. Material: polyethylene. Cleaning max. 60° C (140° F) or with alcohol wipe.



Crossbar

80209246
Attached to the arm supports.
Material: Aluminium, cellular polyethylene, polypropylene.



Cushion, protect

80209245
Air-inflated ROHO cushion with excellent pressure distribution properties. Adjustable air pressure. Recess width: 21 cm (8¼"). Material: Neoprene. Cleaning max: 60° C (140° F).



Safety strap

80209034
Attachments on the rear side of the back support.
Material: Polyester.



Soft pad

Grey: 80209260
Heat-reflecting with a non-slip surface. Recess width: 17 cm (6¾"). Material: polyethylene. Cleaning max max. 60° C (140° F) or with alcohol wipe.



Positioning belt

80209440
Adjustable in length.
Attachment with velcro straps.
Material: Polyester.



Soft back pad

Grey: 80209261
Heat-reflecting with a non-slip surface. Material: polyethylene. Cleaning max. 60° C (140° F) or with alcohol wipe.



Chest harness strap

80209442
Adjustable in length. Attach to back support. Always use together with positioning belt.
Material: Polyester.



Seat cover

80209247
When a complete seat is required.
Material: Polyurethane.
Cleaning max. 85° C (185° F) or with alcohol wipe.



Comfort Kit

80209237
Includes both Comfort Seat Soft and Comfort Cover. Cleaning max. 60° C (140° F) or with alcohol wipe.



Soap dish (does not fit Clean 24")

Grey: 80209266
Attaches to the side of the seat. Built-in shower handle holder.
Material: Polypropylene.
(Does not fit Clean 24")



Comfort Seat Soft

Opening width 15 cm (6"): 80209301
Opening width 18 cm (7"): 80209227
A soft contoured seat in two versions, small opening: W 15 cm (6") or narrow opening: W 18 cm (7"). Material: polyurethane. Cleaning max. 85° C (185° F) or with alcohol wipe.



Pan

Grey: 80209254
Material: polypropylene.

Pan incl. lid with handle

Grey: 80209255
Grey lid only, with handle: 80209256
Material: Polypropylene.

Accessories



Pan holder

Grey: 80209257
Fits both pan, bedpan and regular hospital pans with a thin rim.



Attachment for low mounting of pan/bucket

Grey: 80209259
Fitted to the pan/bucket holder. Lowers the pan/bucket holder with 6 cm (2½"). Material: Polypropene.



Bucket with handle and lid

80302026
The bucket holder is not included. Material: Polypropylene.



Disposable pans, 50 pc.

80209280
Strong and firm. 50 pcs.



Bucket holder

Grey: 80209258
Fits Bucket with handle and lid and other buckets with a thick rim. Material: Polypropene.



Disposable pan holder kit

Grey: 80209229
Fits Disposable pan.

Additional accessories – Clean Height Adjustable only



Flip up foot supports

80209250
Removable, adjustable height. Attachments included. Material: powder coated aluminum and polypropylene foot supports.



Heightening spacers – Clean 49 and 55 cm only

80209243
Raise the seat by 5 cm (2"). Material: Aluminium.



Elevating leg support

Right: 80209252
Left: 80209253
Attachments included. Material: ABS plastic, stainless.



Rear wheel adapter – Clean 49 and 55 cm only

Grey: 80209262
Material: Aluminium, polyamide.



"Everyone should be able to live a free and independent life and pursue their dreams regardless of any physical circumstances."

Distributor

EVOCARE AUSTRALIA PTY LIMITED

A.B.N. 98 078 566 604

Trading as **EVOCARE** and **L&M EQUIPMENT**

P.O. Box 145, Everton Park Qld. 4053

Ph: 07 3355 8000

Website: <http://www.evocare.com.au>

Email: sales@evocare.com.au

workshop@evocare.com.au

warehouse@evocare.com.au

accounts@evocare.com.au



Global-Mark.com.au®



Standard stock items

Distributed by **novis**