



GH3 Twin Lifting module Technical specifications

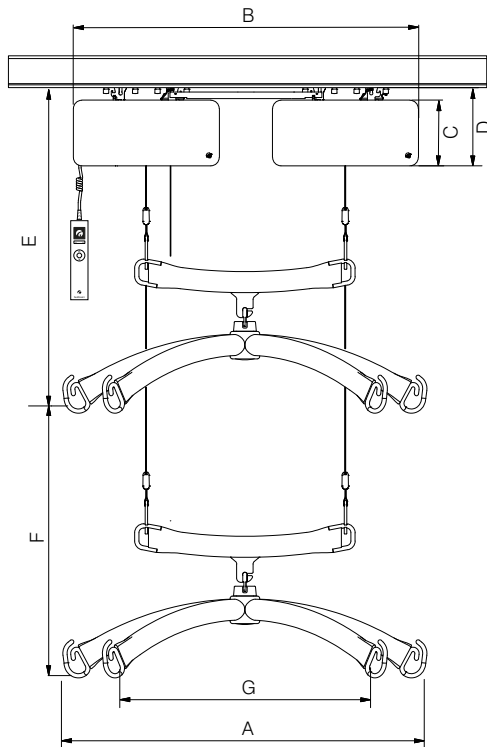
Weight and materials

SWL	: 250 kg, 375 kg, 500 kg
Own weight	: 19,2 kg

Covers : Impact-resistant UL 94 V-0 flame retardant recyclable plastic

Dimensions

A	: 860 mm
B	: 817 mm
C	: 156 mm
D	: 184 mm
E, min	: 655 mm
F, max	: 3155 mm
G	: 473 mm
Depth of hoist	: 205 mm



Functions

Operation	: Hand control / IR
Sound level	: 52 dB (A)

Safety

Emergency stop	: Yes
Emergency lowering device	: Yes, mechanical and electrical
Control of lifting strap	: Yes
Cut-off angle	: 45° along the rail 10° across the rail

Electronics

On/off	: Automatic when used. Soft start/stop. Overload protection.
Battery	: 24 V NiMH, 2 x 2.0 Ah
Max charge time	: 4 hours
Battery protection	: At battery voltage below 22 V the indicator light turns orange. The hoist is stopped if the voltage falls below 20 V
Power supply	: 33 V AC, 2.5 A
Supply voltage, transformer	: 100-240V AC

Protection classification (IP) according to IEC 60529

Lifting module	: IP 20
Hand control	: IP 44
Remote control	: IP 20
Transformer	: IP 20

Labelling

The product is manufactured in compliance with regulation (EU) 2017/745 of the European parliament and of the Council of 5 April 2017, as medical device Class I.

Classification

Pursuant to ISO 9999

Patents

: PA 2008 00888
: PA 2008 00894
: PA 2008 00895

Time to care



GH3 Twin Lifting module Technical specifications

GH Lifting modules, configurations						Options										
Guldmann hoist type	Product line	Load in kg	Number of lifting straps	Number of lifting motors	Number of horizontal drive motors	IR remote	Service module	CLM module	Scale module	WiFi module	Class III scale	Trainer module	Coating	Excl. Turbospeed	UL	Charg. HC
GH3	(x)	xxx	x	x	x	Configuration code (xxxxx)										
GH3	Twin	250	2	2	0
		375	2	2	0
		500	2	2	0

Example: GH3 Twin 250 220 (xxxxx)

GH3	Twin	250	2	2	0	
						w/o horizontal drive motors
						2 lifting motors
						2 lifting straps
						Safe Working Load SWL: 250 kg
						Twin
						Ceiling hoist, type GH3

GH3 Twin	
Lifting speed	
85 kg load	60 mm/sec.
150 kg load	60 mm/sec.
Max capacity load, SWL	55 mm/sec.
Max 5 kg load	60/100 mm/sec.

Number of lifts and Intermittent

Max. number of lifts in series	: 55 with 85 kg/1000 mm
Charging time	: 4 hours
Intermittent	: 2 min. ON/18 min. OFF
Max. number of lifts in series	: 21 with 250 kg/1000 mm
Charging time	: 4 hours
Intermittent	: 2 min. ON/18 min. OFF
Max. number of lifts in series	: 21 with 375 kg/1000 mm
Charging time	: 4 hours
Intermittent	: 2 min. ON/18 min. OFF
Max. number of lifts in series	: 21 with 500 kg/1000 mm
Charging time	: 4 hours
Intermittent	: 2 min. ON/18 min. OFF