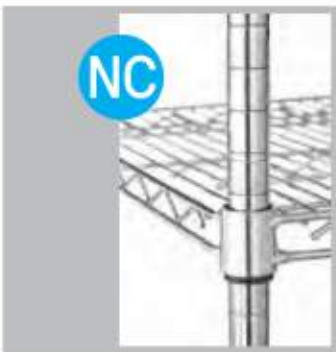


INTRODUCTION

An easy and economical way to solve a variety of storage, supply management and inventory control issues with Static and Mobile Wire Shelving Systems. Available in shelving, carts or high density in-line systems this range will maximise your floor space usage and improve your inventory supply flow.

SHELVING OPTIONS



NICKEL CHROME WIRE SHELVING

Nickel chrome wire shelving is best suited to dry areas, and in particular for sterile hospital environments, where cleanliness and freedom from dust gathering is critical. Nickel chrome wire shelves comply with hospital infection control guidelines - as per AS 4187



STAINLESS STEEL WIRE SHELVING

Stainless steel wire shelving is suitable for wet storage and high contamination areas, such as clean rooms and sterile hospital environments where cleanliness and freedom from dust gathering is critical.



STAINLESS STEEL SOLID SHELVING

Stainless steel solid shelving has unlimited applications. Stainless steel sheet construction, makes it very serviceable in all conditions.



COOL SEAL WIRE SHELVING

Zinc plated, epoxy coated wire shelving is specially designed for both wet and dry storage areas. Particular application is cool rooms, freezers, hotels, restaurants and hospital kitchens. Rapini provides a 10 year warranty against rust.

CONFIGURATION OPTIONS

Shelving, provides complete flexibility, so that our customers can achieve the most efficient storage solutions possible.

Shelf sizes offers an expansive range of shelf sizes. (refer table – over)

Adjustability Shelves are adjustable and can be easily re-positioned with the use of the two piece sleeve which is set at 25mm increments.

Different heights Six standard Post heights enables Rapini to adapt to most requirements

Accessories A large range of accessories is available to compliment all shelving layouts (refer accessories – over)

Mobile or static With or without wheels...

- Mobile shelving units are supplied with 125mm Castors, 2 of which come with Brakes
- Static shelving units are supplied with adjustable feet to accommodate uneven floors

STATIC 5 SHELF

NC SS SD ZP

R1101 Shelf Unit
Nickel Chrome
Five Shelf /Static
Size: 460 x 1525 x 1600mm
(depth x width x height)



STATIC 4 SHELF

NC SS SD ZP

R1001 Shelf Unit
Nickel Chrome
Four Shelf / Static
Size: 460 x 1525 x 1600mm
(depth x width x height)



MOBILE 4 SHELF

NC SS SD ZP

R1201 Shelf Unit
Nickel Chrome
Four Shelf / Mobile
Size: 460 x 1525 x 1760mm
(depth x width x height)



MOBILE 5 SHELF

NC SS SD ZP

R1301 Shelf Unit
Nickel Chrome
Five Shelf / Mobile
Size: 460 x 1525 x 1760mm
(depth x width x height)



CONFIGURATION OPTIONS



NC

MODEL R2102 SUTURE TROLLEY

Size illustrated 460 x 1220 x 1760mm high
Suture Trolley features the unique slanted display shelves ideal for dispensing and storing of Sutures or other boxed items. Can be configured with slanted or flat shelves.

Three shelf sizes available.

Available in Nickel Chrome only

R2101 460 x 910mm
R2102 460 x 1220mm
R2103 460 x 1525mm



NC

MODEL R2001 COMBINATION TROLLEY

Size illustrated 1220 x 610 x 1760mm high

Trolley combines the options of fixed shelves and sliding baskets.

Can be configured with a variety of baskets to both sides, or the basket / shelf combination.

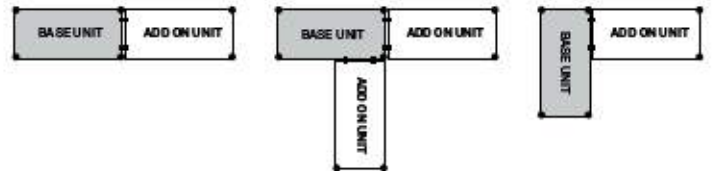
Available in Nickel Chrome only



NC SS SD ZP

MODULAR SHELVING SYSTEM

Static units can be configured in multiple variations using S Hooks. Starting with a base unit, extra units can be added side to side or back to back.



Single row in-line units



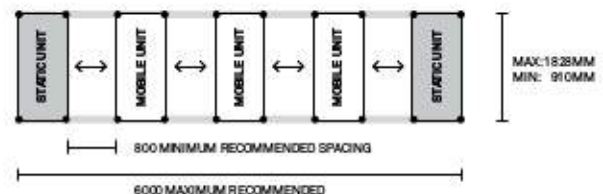
Double row in-line units

NC SS ZP

IN-LINE COMPACT STORAGE SYSTEM

The principle of in-line storage systems is to have a number of mobile bays, running between two static end bays.

Allowance must be made for a minimum of 800mm aisle spaces. Our normal range of shelf sizes gives the opportunity to erect the most efficient storage system to suit all applications.



SIZE OPTIONS

NC CHROME			SS STAINLESS STEEL WIRE		SD STAINLESS STEEL SOLID		ZP COOL SEAL	
WIRE SHELF SIZES								
size (mm)	size	code	size	code	size	code	size	code
355 width								
	355 x 760	S1430NC					355 x 610	ZP1424
	355 x 910	S1436NC					355 x 760	ZP1430
	355 x 1070	S1442NC					355 x 910	ZP1436
	355 x 1220	S1448NC					355 x 1070	ZP1442
	355 x 1372	S1454NC					355 x 1220	ZP1448
	355 x 1525	S1460NC					355 x 1372	ZP1454
	355 x 1828	S1472NC					355 x 1525	ZP1460
							355 x 1828	ZP1472
460 width								
	460 x 460	S1818NC						
	460 x 610	S1824NC	460 x 610	S1824SS	460 x 610	S1824SD	460 x 610	ZP1824
	460 x 760	S1830NC	460 x 760	S1830SS	460 x 760	S1830SD	460 x 760	ZP1830
	460 x 910	S1836NC	460 x 910	S1836SS	460 x 910	S1836SD	460 x 910	ZP1836
	460 x 1070	S1842NC	460 x 1070	S1842SS	460 x 1070	S1842SD	460 x 1070	ZP1842
	460 x 1220	S1848NC	460 x 1220	S1848SS	460 x 1220	S1848SD	460 x 1220	ZP1848
	460 x 1372	S1854NC	460 x 1372	S1854SS			460 x 1372	ZP1854
	460 x 1525	S1860NC	460 x 1525	S1860SS	460 x 1372	S1860SD	460 x 1372	ZP1860
	460 x 1828	S1872NC					460 x 1828	ZP1872
533 width								
	533 x 610	S2124NC					533 x 610	ZP2124
	533 x 760	S2130NC					533 x 760	ZP2130
	533 x 910	S2136NC	533 x 910	S2136SS			533 x 910	ZP2136
	533 x 1070	S2142NC	533 x 1070	S2142SS			533 x 1070	ZP2142
	533 x 1220	S2148NC	533 x 1220	S2148SS			533 x 1220	ZP2148
	533 x 1372	S2154NC	533 x 1372	S2154SS			533 x 1372	ZP2154
	533 x 1525	S2160NC	533 x 1525	S2160SS			533 x 1525	ZP2160
	533 x 1828	S2172NC	533 x 1828	S2172SS			533 x 1828	ZP2172
610 width								
	610 x 610	S2424NC	610 x 610	S2424SS			610 x 610	ZP2424
	610 x 760	S2430NC	610 x 760	S2430SS	610 x 760	S2430SD	610 x 760	ZP2430
	610 x 910	S2436NC	610 x 910	S2436SS	610 x 910	S2436SD	610 x 910	ZP2436
	610 x 1070	S2442NC	610 x 1070	S2442SS	610 x 1070	S2442SD	610 x 1070	ZP2442
	610 x 1220	S2448NC	610 x 1220	S2448SS	610 x 1220	S2448SD	610 x 1220	ZP2448
	610 x 1372	S2454NC	610 x 1372	S2454SS			610 x 1372	ZP2454
	610 x 1525	S2460NC	610 x 1525	S2460SS	610 x 1525	S2460SD	610 x 1525	ZP2460
	610 x 1828	S2472NC					610 x 1828	ZP2472
760 width								
	760 x 910	S3036NC					760 x 910	ZP3036
	760 x 1070	S3042NC						
	760 x 1220	S3048NC						
	760 x 1372							
	760 x 1525	S3060NC						
POSTS								
860	860	P34C	860	P34SS	860	P34SS		
1370	1370	P54C	1370	P54SS	1370	P54SS	1370	ZP54
1600	1600	P63C	1600	P63SS	1600	P63SS	1600	ZP63
1800	1800	P70C						
1895	1895	P74C	1895	P74SS	1895	P74SS	1895	ZP74
2200	2200	P86C	2200	P86SS	2200	P86SS	2200	ZP86
WIRE LEDGE SIZES								
100mm high								
355mm L	355	AL14C						
460	460	AL18C		AL18SS				ZP18L
533	533	AL21C						ZP21L
610	610	AL24C		AL24SS				ZP24L
760	760	AL30C		AL30SS				ZP30L
910	910	AL36C		AL36SS				ZP36L
1070	1070	AL42C		AL42SS				ZP42L
1220	1220	AL48C		AL48SS				ZP48L
1372	1372	AL54C		AL54SS				ZP54L
1525	1525	AL60C		AL60SS				ZP60L
1828	1828	AL72C						ZP72L
280mm high								
355mm L	355	AL14-280C						
460	460	AL18-280C						
533	533	AL21-280C						
610	610	AL24-280C						
760	760	AL30-280C						
910	910	AL36-280C						
1070	1070	AL42-280C						
1220	1220	AL48-280C						
1372	1372	AL54-280C						
1525	1525	AL60-280C						
1828	1828	AL72-280C						
WIRE SELF DIVIDER SIZES 220 mm high								
355	355	D14C						
460	460	D18C		D18SS				
533	533	D21C		D21SS				
610	610	D24C		D24SS				
760	760	D30C						

(not all products shown may be available)

ACCESSORIES

LEDGES NC SS ZP

Wire Shelf ledges are available to suit all shelf sizes.

Ledges are designed to easily clamp on to shelf frames.

Two sizes:
100mm high
280mm high

Available in various sizes to suit different shelf widths.

See chart page 4.

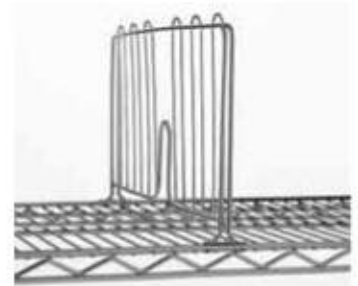


SHELF DIVIDERS NC

To assist in organized shelf maintenance, Shelf Dividers provide a simple solution and clip into any part of the shelf.

Available in various sizes to suit different shelf widths.

See chart page 4.

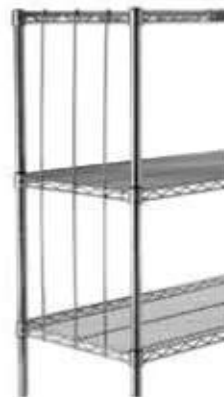


VERTICAL RODS NC

An alternative to Ledges, the 6mm vertical rods can be used to retain larger items.

Available in five lengths, simply clip onto the shelf frame.

There are 5 different lengths
AR1150 1150mm
AR1320 1320mm
AR1380 380mm
AR1530 1530mm
AR1830 1830mm



GUARD RAILS NC

A small version of the shelf ledge. Offers two types: Straight one side or three sided.

Sizes to suit shelves.

Straight 1 side	Guard Rail 3 Sides
R18C 460mm	F1836C 460 x 910mm
R21C 533mm	F1848C 460 x 1220mm
R24C 610mm	F2424C 610 x 610mm
R30C 760mm	F2436C 610 x 910mm
R36C 910mm	F2448C 610 x 1220mm
R42C 1070mm	
R48C 1220mm	
R54C 1372mm	
R60C 1525mm	
R72C 1828mm	



CANTILEVER SHELF NC

Designed to be an additional over shelf without the obstruction of upright posts. 300mm wide only.

Sized to suit shelves
HS1242C 300 x 1070mm
HS1248C 300 x 1220mm
HS1260C 300 x 1525mm
HS1272C 300 x 1828mm



WALL MOUNT COLLAR SS

Affixes to wall to accommodate posts and spaced to suit shelves.

Posts can be cut to suit any application.

WT1A - Wall Mount Collar



WALL BRACKETS NC

To be fixed to walls and spaced to accommodate all shelves. Fits all 355mm and 460mm wide shelves.

Two sizes
WSWB14C 355mm wide
WSWB18C 460mm wide



S HOOK CONNECTOR SS

S Hooks are used to link one shelving unit to another and are particularly useful in a corner situation to replace posts to enable free access into the corner.

AS 01



LABEL HOLDERS

Two variations are available

Blue Type Clips securely to top and bottom of shelf. Available in full lengths to suit shelves.

ALH800	ALH1400
ALH1100	ALH1700



POST CLAMPS NC

Post Clamps can be used to join and secure Static Shelving Units.

APC04 - Post Clamp



Clear Type Clips securely to top of shelf. Available in full lengths to suit shelves. May be easily cut to lengths of choice.

DUS26CL75	DUS26CL1220
DUS26CL700	DUS26CL1280
DUS26CL850	DUS26CL1400
DUS26CL980	DUS26CL1700

