

EVOCARE AUSTRALIA PTY LIMITED

A.B.N. 98 078 566 604

Trading as **EVOCARE** and **L&M EQUIPMENT**

P.O. Box 1144, Stafford Qld. 4053

Ph: 07 3355 8000 Fax: 07 3355 5043

Website: <http://www.evocare.com.au>

E-Mail: sales@evocare.com.au

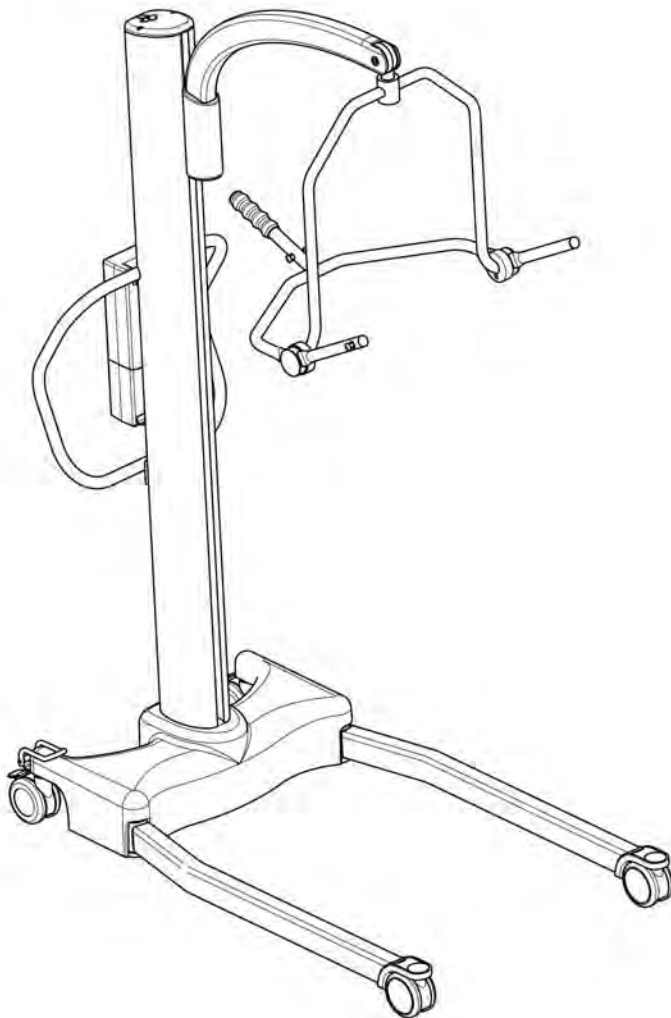
workshop@evocare.com.au



Quality
ISO 9001

Oxford[®]

Oxford[®] Stature
Parts Manual



 **Joerns**
Healthcare

Redefining patient handling

NO.	PART NUMBER	DESCRIPTION	QTY	SERIAL NO.
1	OY0066	100mm rear castor (braked)	2	
2	OY0073	100mm front castor inc. load bearing washer and tightening wrench (wrench not shown)	2	
3	OY0185	Mast extrusion	1	
4	OY0186	Boom extrusion and capping plate	1	
5	OY0187	Boom carrier	1	
6	OY0188	4 point cradle assembly complete (standard with Stature)	1	
7	OY0189	6 point spreader bar assembly complete (option with Stature)	1	
8	OY0190	Lift strap and pin	1	
9	OY0191	Base Assembly; includes base casting & welded post (not internal parts)	1	
10	OY0192	Foot push pad assembly complete	2	
11	OY0193	Mast to base fixing kit	1	
12	OY0194	Motor gear box and brake assembly complete	1	
13	OY0195	Left leg extrusion including fixings	1	
14	OY0196	Right leg extrusion including fixings	1	
15	OY0197	Straight-line steering device	1	
16	OY0198	Linak controller	1	
17	OY0067	Linak battery	1	
18	OY0075	Linak hand control	1	
19	OY0199	Push handle assembly and fixings	1	
20	OY0069	Linak battery and controller brackets/fixings	1	
21	OY0200	Mast grommet (cable feed)	2	
22	OY0201	Fixings Kit (all bolts, screws and fixings)	1	
23	OY0071	Linak charge lead UK	1	
24	OY0114	Linak charge lead USA	1	
25	OY0072	Linak charge lead EURO	1	
26	OY0202	Emergency descent socket and drive	2	
27	OY0203	Mast top cap	1	
28	OY0204	Decal set (Oxford) not shown (no serial number labels)	1	
29	OY0205	Decal set (Hoyer) not shown (no serial number labels)	1	
30	OY0070	Handset clip (not shown)	1	
31	OY0128	Castor tightening wrench (not shown)	1	
32	OY0227	Wiring kit complete (includes circuit diagram and descriptions) not shown	1	
33	OY0218	Base bottom plate	1	
34	OY0219	Leg pivot assembly and fixings (left hand)	1	
35	OY0220	Leg pivot assembly and fixings (right hand)	1	
36	OY0221	Top pulley assembly	1	
37	OY0222	Quick release pin kit	1	
38	OY0223	Brake assembly (separate)	1	
39	OY0224	Motor gearbox assembly (separate)	1	
40	OY0225	Bottom pulley kit	1	
41	OY0226	Leg motor	1	
42	OY0228	Limit switch kit (includes 4 proximity switches) not shown	1	
43	OY0229	Relay kit (X1) not shown	1	
44	OY0230	Diode kit (X4) not shown	1	
45	OY0053	Linak charger and stand assembly without charging lead (not shown)	1	
46	OY0231	Carriage pulley assembly complete	1	
47	OY0380	Spreader bar washer and o-ring spares kit	1	
48	OY0480	Boom end cap	1	

