



A SIGN OF QUALITY

Mortuary Refrigerators / Freezers

Nuline is proud to introduce its new redesigned and manufactured range of Mortuary Refrigerators and Freezers with a new style and ease of operation in mind.

It is sure to satisfy all of your requirements with the following features;

- Easy Glide out Stainless Steel Stretches on Polypropylene Glide Rollers
- Large Control Panel with built in alarms – Audio & Visual with reactivation alarm & Mute Function for Alarm
- Facility for Remote Alarm Connection
- Interior Lighting
- Top Mounted Refrigeration System that requires no installation
- Waste Fitting for Hosing out
- Stainless Steel Interior and Exterior



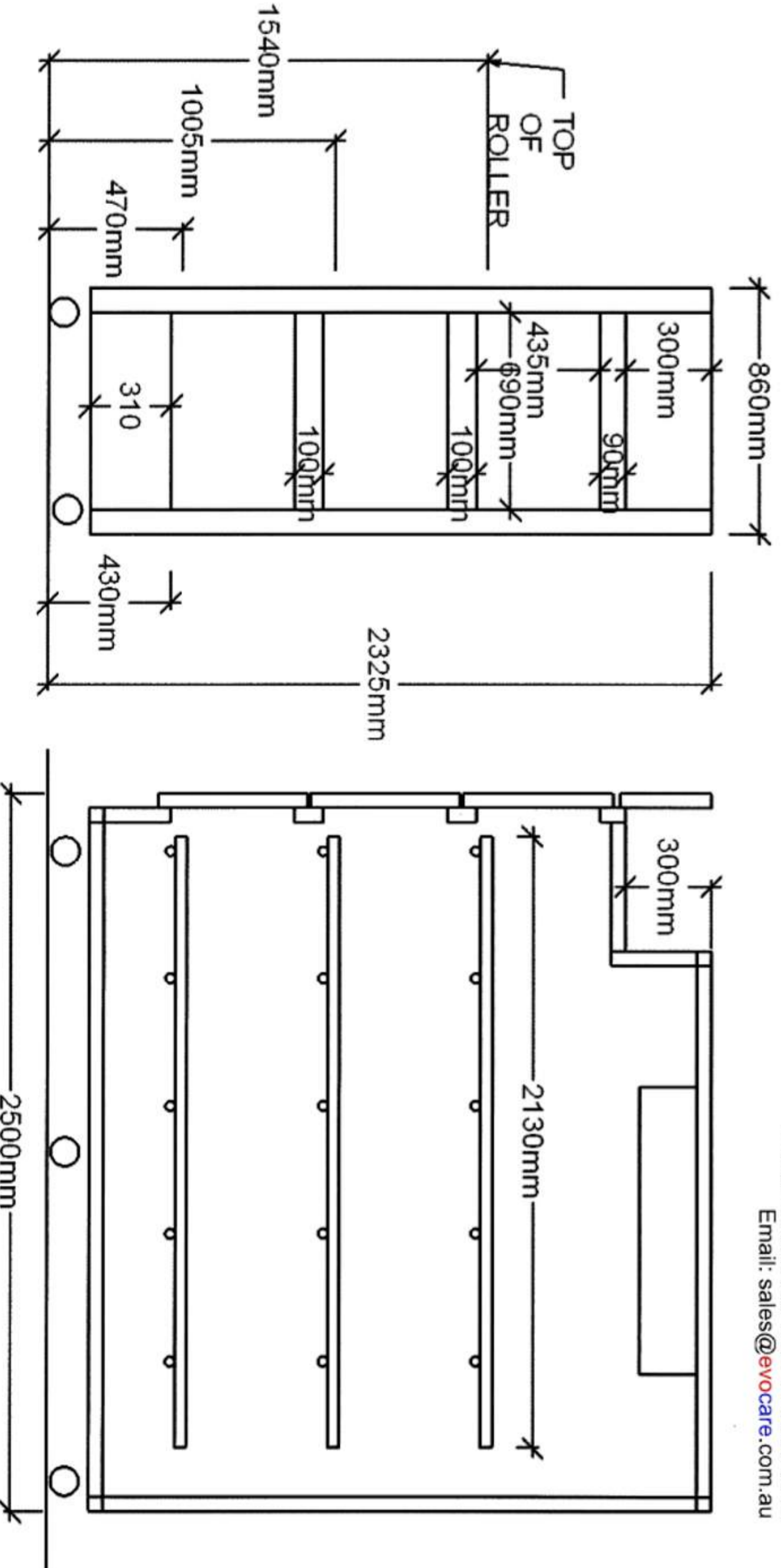
Model	Dimensions	Berth
NMR1 / NMF1	860 w x 2500 d x 1265 h	1
NMR2 / NMF 2	860 w x 2500 d x 1790 h	2
NMR3 / NMF3	860 w x 2500 d x 2325 h	3

** Also available in Bariatric Sizes**

NMR-3



www.evocare.com.au
Ph: 07 3355 8000 Fax: 07 3355 5043
Email: sales@evocare.com.au



CONSTRUCTION

- Cabinets are built on the monostructure system which combines maximum useful internal space with minimum floorspace requirement.
- They are robust without being unduly heavy or bulky.
- The internal and external shells are stainless steel which combines clinical cleanliness and durability with a permanent attractive appearance.
- Polyurethane insulation is used to meet the particular requirements of refrigeration in mortuaries.

LEGS

- Castors as standard.

FITTINGS

- Fittings comprise heavy-duty chromium-plated handles and hinges
- Magnetic door gaskets
- Temperature indicator, on/off switch and running light.
- **Option:** Each door can be fitted with a holder for an identification card.

REFRIGERATION

- Top Mounted Refrigeration System that requires no installation.
- All cabinets are temperature controlled individually and can be isolated when not in use.
- Within the cabinet is a frost-free forced air circulation system and automatic temperature control.
- The refrigeration system is designed for a storage temperature of +2/+4°C in an ambient temperature of 43°C.
- Temperature Ranges: Refrigerators 2°C to 4°C, Freezers to -20°C;

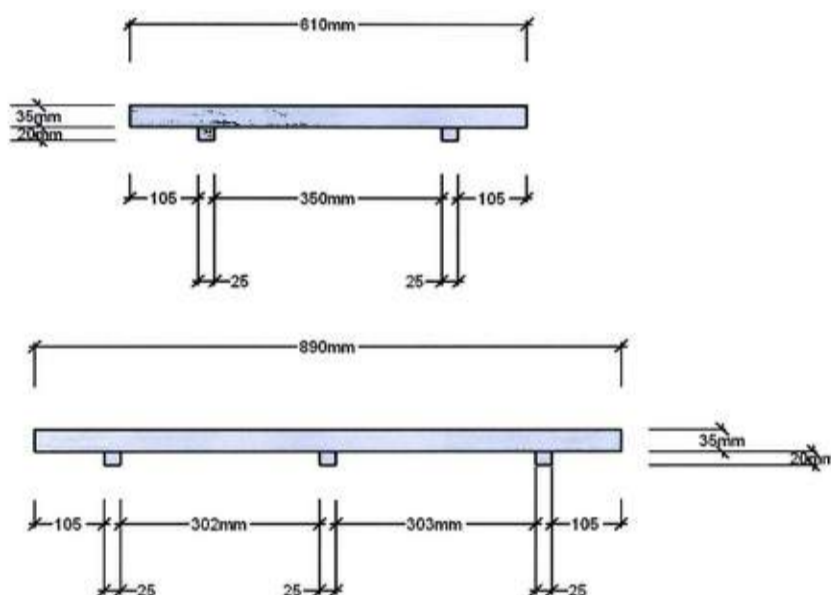
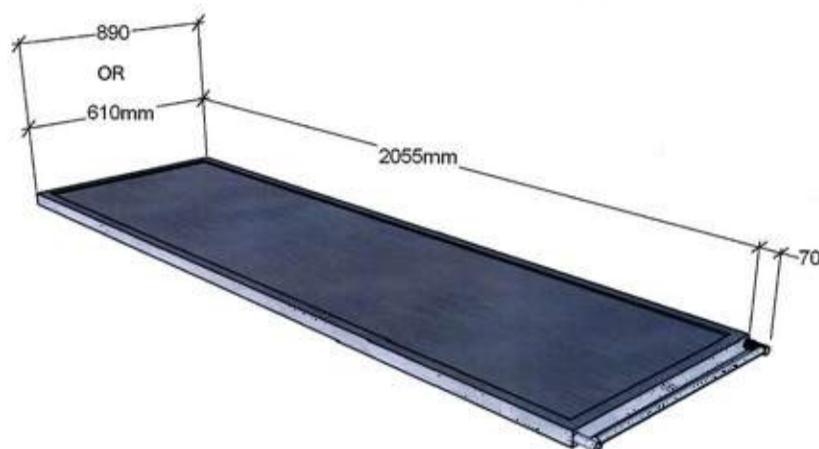
DRAINS

- A 38mm drain is provided for connection to existing plumbing.
- An S/trap should be fitted between the cabinet drain outlet and existing plumbing.

STRETCHERS

- Stretchers are made of stainless steel
- The tubular frame holding the stretcher tray has integral hand slides at both ends.
- The stretchers are mounted on polypropylene glide rollers for easy handling.
- The tubular construction of the stretchers makes them light in proportion to their load-bearing capacity.

Tray dimensions for standard 610mm and bariatric 890mm



STACKER TROLLEYS

A stacker trolleys are available as an optional extra for easy stretcher loading.

INSTALLATION AND CLEANING

- The refrigerator should be installed in a level position in a well-ventilated position.
- All refrigerator units run on 240V 10amp single phase.
- The air inlet for the motor is at the front grill — the air outlet is on top of this unit at the front.
- Internal cleaning can be achieved by a hose or other means as the cabinet is provided with a drain point at the front.
- It is important to direct the hose away from the evaporator motors and all power.
- The power cord is on the left side of cabinet at the top approx 300mm from the front.
- As the above items are at the front/front top of the unit, the units are able to be positioned against walls or other units at the sides and rear — no clearances needed.
- In small areas an exhaust fan may be required.