



Infection Control Solutions &
Specialised Hospital Equipment

**MALMET (AUSTRALIA)
PTY LTD**

ES-D

**Bedpan/Urine Bottle
Washer Disinfector**





ES-D Malmart Bedpan/Urinal Bottle Washer Disinfecter

Malmart ES-D Bedpan/Urinal Bottle Washer Disinfecter range is the most efficient and effective method of washing and disinfecting bedpans and urinal bottles.

Independently micro-tested, Malmart ES-D devices are proven to inactivate organisms (bacteria and viruses) generally found in bedpans and urinal bottles.

The detergent wash ensures that faeces etc are properly removed before the final steam disinfection, ensuring efficacy to the highest relevant Australian and ISO standards. Also, designed with the environment in mind, the ES-D range of products has one of the lowest energy usage rates in the industry.

- Low water and power consumption
- Large capacity: 1 bedpan and 2 urinal bottles per cycle
- Standard universal rack will also accept bariatric slipper pan
- Detergent cycle
- Infection Control: Microbiologically tested by an independent NATA certified laboratory
- Hands-free operation to minimise infection control risk
- Simple controls, easy to operate
- Steam disinfection with inbuilt steam generator – no external hot water supply required
- Disinfection to higher AO 600 level as recommended by ISO 15883
- No venting required
- Available in 240 V 10 A and 240 V 20 A
- Compliant to relevant electrical safety, Watermark standards
- ARTG Certification 232012 to industry highest Class 11b level
- Malmart Door Obstruction Feature - This is factory set to 12 Nm \pm 10%; causing the door to re-open when an obstruction is detected. This is designed to protect the integrity of the device and the articles within.



Model Available

Product Code	Model No	Description	Average Cycle Time	Power Consumption	Water Consumption Cold Water Only
91-1002	ES915S-D	Malmart Bedpan/Urinal Bottle Washer Disinfecter (S Trap, 1 Phase 20 Amp)	5.30 min	0.300 kwh	36 litres
91-1007	ES915P-D	Malmart Bedpan/Urinal Bottle Washer Disinfecter (P Trap, 1 Phase 20 Amp)	5.30 min	0.300 kwh	36 litres
91-1022	ES935S-D	Malmart Bedpan/Urinal Bottle Washer Disinfecter (S Trap, 1 Phase 10 Amp)	7.50 min	0.236 kwh	36 litres
91-1027	ES935P-D	Malmart Bedpan/Urinal Bottle Washer Disinfecter (P Trap, 1 Phase 10 Amp)	7.50 min	0.236 kwh	36 litres

Detergent

Product Code	Description	Volume
81-9071SP	PK 4 – Detergent Malmart	4 x 5 Litres

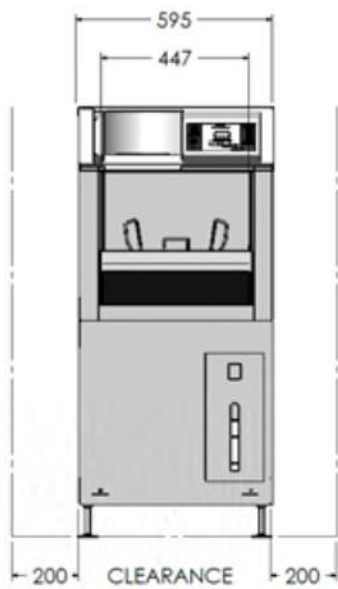
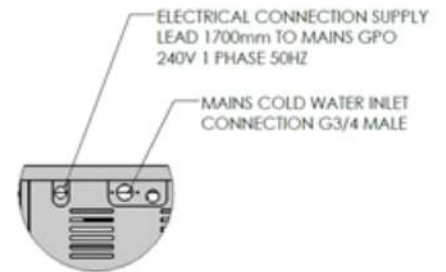
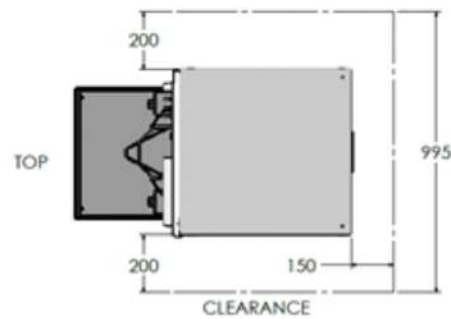
Specification Table

Dimensions:	595 mm W x 660 mm D x 1305 H
Power Input	240V Single Phase @ 10 Amp or 20 Amp 50 Hz
Power Consumption:	20 Amp - 0.300 kwh, 10 Amp - 0.236 kwh
Water Inlet:	GB ¾ Male
Water Supply	5 - 25°C @ 100 - 400kpa Nominal Flow Rate 10L/Min
Concentration of multivalent cations (Water Hardness)	2.5 mmol/l of CaCO ₃
Soil Line:	100 mm 'S' or 'P' Trap
Shipping Weight:	110 kg
Chamber Volume:	43 L
Capacity:	1 x bedpan & lid & 2 Urinal bottles OR 1 x commode bowl & lid & 2 urinal bottles OR 1 x small or bariatric slipper pan & lid & 2 urinal bottles
Detergent:	5 Litre Product Code #81-9071SP (Detergent ARTG Certification 190013)
Detergent Dosage:	30ml
Detergent Specifications	Poisons Schedule: 6 Dangerous Goods Class: 8, Hazchem Code: 2R

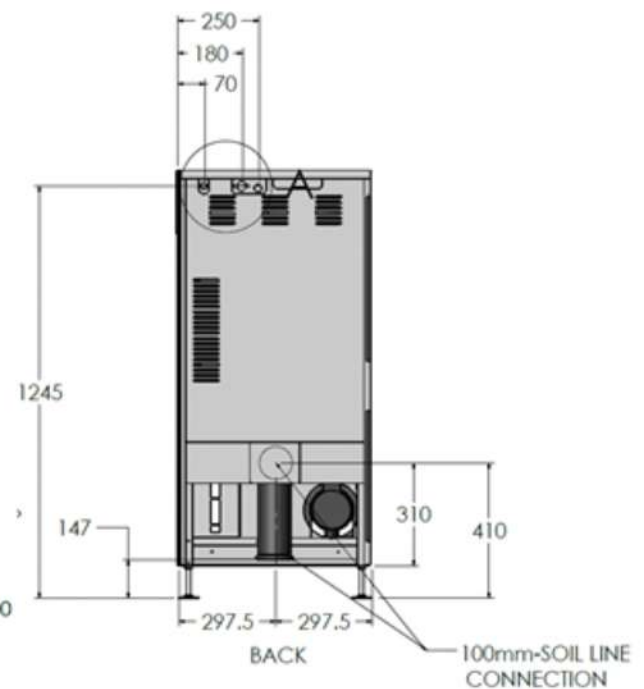
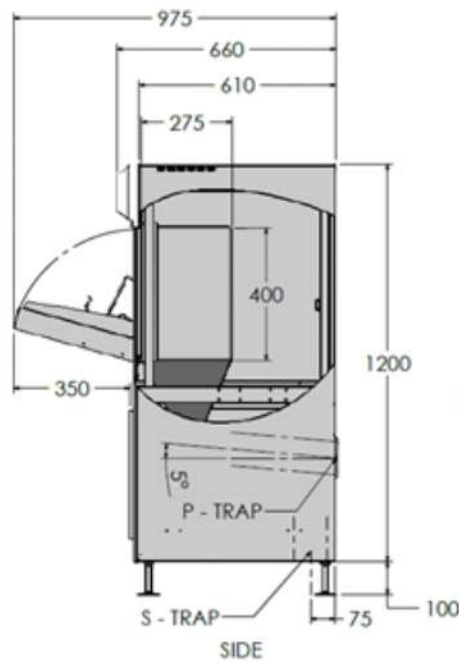




ES-D Dimensions and Service Locations



FRONT



Urinal Bottle Racks

Product Code	Model	Description	Size (mm)		
			Width	Height	Depth
8-M00-80-131	BR4WT	Malmet Rack (For 4 Urinal Bottles with wall plate and drip tray)	630	209	115
8-M00-80-133	BR6WT	Malmet Rack (For 6 Urinal Bottles with wall plate and drip tray)	790	209	115
8-M00-80-134	BR8WT	Malmet Rack (For 8 Urinal Bottles with wall plate and drip tray)	1,043	209	115

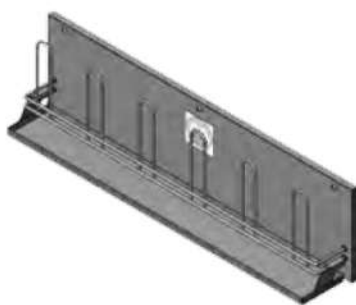
Bedpan and Basin Racks

Product Code	Model	Description	Size (mm)		
			Width	Height	Depth
8-M00-80-231	PR4WT	Malmet Rack (For 4 Urinal Bottles with wall plate and drip tray)	630	437	300
8-M00-80-233	PR6WT	Malmet Rack (For 6 Urinal Bottles with wall plate and drip tray)	790	437	300
8-M00-80-234	PR8WT	Malmet Rack (For 8 Urinal Bottles with wall plate and drip tray)	1,043	437	300

Combination Racks

Product Code	Model	Description	Size (mm)		
			Width	Height	Depth
8-M00-80-321	BR4-PR4+WT	Malmet Rack (For 4 Bedpans & 4 Urinal Bottles with Wall Pate & Drip Tray)	630	645	300
8-M00-80-323	BR6-PR6+WT	Malmet Rack (For 6 Bedpans & 6 Urinal Bottles with Wall Pate & Drip Tray)	790	645	300
8-M00-80-324	BR8-PR8+WT	Malmet Rack (For 8 Bedpans & 8 Urinal Bottles with Wall Pate & Drip Tray)	1,043	645	300

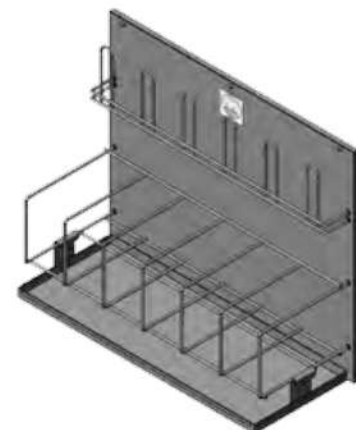
Urinal Bottle Rack



Bedpan and Basin Racks



Combination Racks



Product Range



Tall Warming Cabinet
FWTFC

Malmet Instrument and Anaesthetic Apparatus Drying Cabinet
DC12

Malmet Fluid and Blanket Warming Cabinet
FBWFC

Malmet Blanket Warming Cabinet - with Stand
BWS

Malmet Utensil/Bowl Washer Disinfecter, Top Loading
WDT2

Malmet Bedpan/Urinal Bottle Washer Disinfecter
ES-D

Malmet Bedpan/Urinal Bottle and Utensil/Bowl Washer Disinfecter
WDS

Malmet Rack (for Bedpan & Urinal Bottles with Wall Plate & Drip Tray)
BR6-PR6 + WT

National Head Office

9-11 McKay, Leeton, NSW 2705 Australia

Warning:

This brochure contains general information only. If you require accurate dimensions or any other details which may affect your installation, please contact Evocare. In the interest of continued product improvement, Malmet reserves the right to alter design and product specifications without notice. E.&O.E. For further information on warranty terms and conditions, please refer to Malmet's Warranty Statement.

MEDICAL RECEPTACLES SHOWN IN ALL PHOTOS ARE NOT INCLUDED WITH UNITS.

PBL006 0119

