

OWNER'S MANUAL



ROLLATOR WITH FOREARM SUPPORT



LM3880

Thank you for purchasing this Evocare Rollator with Forearm Support. It is strongly recommended that you read through this user manual prior to using your Rollator with Forearm Support for the first time. Your Rollator with Forearm Support should provide years of trouble-free use, provided that you adhere to these recommendations.

WE ARE HERE TO HELP YOU

To request product service and order replacement parts, please call:

Customer Service: 07 3355 8000

Spare Parts: 07 3355 8007

8.30 am to 5.00 pm Monday to Friday

Email: sales@[evocare.com.au](mailto:sales@evocare.com.au)

If the product does not function properly contact [Evocare](#) Australia.

When requesting service, please provide the following information:

1. Part Code and Description
2. Date of Purchase

Address: Evocare Australia Pty Limited
260 South Pine Road, Enoggera, Qld. 4051
P.O. Box 1144, Stafford, Qld. 4053

DESCRIPTION



The **LM3880** Rollator with Forearm Support is designed to accept a maximum user weight of **100 kilograms**.

Evocare is a quality endorsed company and supplies equipment listed with the Therapeutic Goods Administration. The ARTG number for the LM3880 Rollator with Forearm Support is 176494.

OPERATING INSTRUCTIONS

Operating Instructions

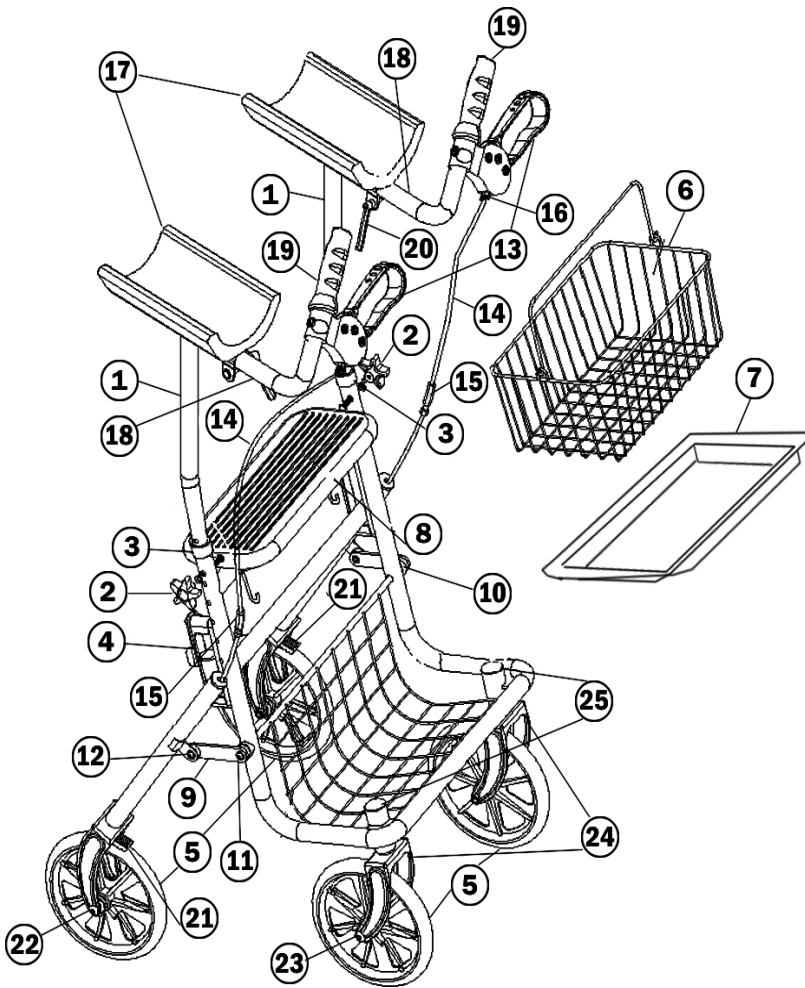
- DO NOT use this Rollator without first reading and understanding the instructions contained in this manual. If you are unable to understand the Warnings, Cautions or Instructions, contact a healthcare professional or supplier before use—otherwise serious injury or product damage may occur.
- Consult with your doctor, therapist, or other qualified healthcare professional regarding the proper height adjustment for maximum support; and correct brake activation.
- DO NOT attempt to push the rollator while someone is sitting on the seat.
- DO NOT self propel the rollator while seated.
- Serious injury to the user and/or damage to the rollator frame or wheels may result from improper use.
- DO NOT use the seat to transport people or objects.
- DO NOT use the seat to carry or move anything.
- DO NOT sit on the rollator while it is being loaded into a vehicle or while it is being transported in a vehicle.
- DO NOT exceed the maximum weight capacity (including bag contents) or serious injury could result: Handles **90kg** Seat **100kg**.
- Before each use make sure the rollator frame is fully opened and in a stable position.
- Check the brakes for proper operation. Make sure that all parts are secure and that moving parts are in good working order.
- All wheels must be in contact with the floor at ALL TIMES. This will ensure the rollator is properly balanced.
- DO NOT hang anything from the rollator handles or frame (other than the vinyl storage bag in the original position). This may cause the rollator to tip, resulting in injury or rollator damage.

OPERATING INSTRUCTIONS

Operating Instructions (continued)

- The seat **MUST** be in the **DOWN** position when using the rollator for ambulatory assistance.
- The brakes **MUST** be in the locked position **BEFORE** using the seat.
- When using the rollator in a stationary position, the hand brakes **MUST** be locked.
- **DO NOT** sit on the seat when the rollator is on an incline.
- **DO NOT** use the rollator to walk backwards, down gradients, or to climb stairs, kerbs or to go over obstacles. Serious risk of falling or injury may occur.
- **DO NOT** perform and adjustments to the rollator while it is in use.
- Only use accessories and spare parts authorised by Evocare with this rollator.

ASSEMBLY INSTRUCTIONS & PARTS LIST



Assembly Instructions

1. Insert the (1) handle bar into the tube frame and adjust the height, tighten (2) arm support knob.
2. Open out back wheels and lock with mechanism(4).
3. Hook (6) basket onto frame, can be removed if necessary.
4. Insert (18) handle bar into the tube under (17) tighten by (20) handgrip length adjustment bar, to fit arm length.

! Caution: Make sure all the screws on the Rollator with Forearm Supports are tight and that the castors are fixed and moving freely.

LM3880 ROLLATOR WITH FOREARM SUPPORTS—PARTS LIST

No.	Code	Description
1	LM3880AS	ARM SUPPORT
2	LM3880K	ARM SUPPORT KNOB
3	LM3880TC	PLASTIC TUBE COVER
4	LM3880L	LOCKING MECHANISM
5	LM3880W	200X 50 PU TYRE
6	LM3880B	BASKET
7	LM3880T	PERSPEX TRAY
8	LM3880S	SEAT
9	LM3880FS	FRAME SUPPORT
10	LM3880FSPW	FRAME SUPPORT PLASTIC WASHER/BLOCK
11	LM3880FSS	FRAME SUPPORT SCREW & WASHER
12	LM3880FSB	FRAME SUPPORT BOLT & WASHER
13	LM3880HB	HANDE BRAKE ASSEMBLY

No.	Code	Description
14	LM3880BK	BRAKE CABLE
15	LM3880BJ	BRAKE CABLE JOINER
16	LM3880BAK	BRAKE ADJUSTMENT KNOB
17	LM3880AR	ARMREST
18	LM3880HB	HANDLE BAR
19	LM3880G	GRIP FOR HANDLE BAR
20	LM3880HK	KNOB TO TIGHTEN HANDLE BAR
21	LM3880BP	BRAKE PAD
22	LM3880RWA	REAR WHEEL AXLE ASSEMBLY
23	LM3880FWA	FRONT WHEEL AXLE ASSMEBLY
24	LM3880FWA	FORK FOR FRONT WHEEL
25	LM3880C	COVER FOR FRONT WHEEL FORK

WARRANTY

1. Evocare provides consumers with the following warranty in relation to this Product, in addition to complying with the requirements of any relevant legislation, including the *Competition and Consumer Act 2010* (Cth) in Australia and the *Consumer Guarantees Act 1993* in New Zealand (the Acts), except where a New Zealand consumer acquires the Product for the purposes of a business.
2. In this warranty, we have used the following definitions:
 - (a) **Form** means a warranty claim form issued by Evocare in respect of Products;
 - (b) **Evocare** or **our** means Evocare Australia Pty Limited, ABN 98 078 566 604 of Level 19, 144 Edward Street, Brisbane 4000;
 - (c) **Products** means the goods manufactured for Evocare (including products manufactured by its contract manufacturers);
 - (d) **Material** means a material or component used by Evocare in the manufacture of the Products;
 - (e) **Retailer** means the authorised dealer of Products from whom the Product was purchased;
 - (f) **Warranty Period** means the warranty period commencing from the date of purchase of the relevant Product. If the Product or part (as the case may be) is repaired or replaced, there will be no extension to the original warranty period; and
 - (g) **Workmanship** means the handling, assembly and manufacturing processes performed by or on behalf of Evocare in order to manufacture the Products.
3. Evocare warrants that for the duration of the Warranty Period, all Products will be free of faults arising from defects in Workmanship or Materials, on the terms and conditions set out in this warranty.
4. Evocare undertakes that if during the Warranty Period any Product, or any part of a Product, has failed to operate correctly due to faulty Workmanship or defective Material, it will repair or replace the Product or part (as the case may be) free of charge provided that the following procedures are met :
 - (a) The consumer must contact the Retailer or Evocare upon becoming aware of any defect to a Product upon which the consumer will be required to complete a Form and provide satisfactory proof of purchase.
 - (b) Evocare will review the Form to determine whether there is a defect, and if so Evocare agrees to (at its option) repair, replace or supply equivalent goods, or pay the cost of any of those remedies to the consumer.
 - (c) If Evocare requests the return of the applicable Product or part, the consumer will be responsible for the collection and freight costs of returning that Product or part to Evocare.
 - (d) The consumer acknowledges that it is also responsible for the freight costs to deliver any new Product or replacement part to it.
5. This warranty is in addition to any non-excludable legal rights or remedies conferred on the consumer under any applicable Act and any similar laws. To the extent permitted by law, Evocare's liability for any non-excludable condition or warranty is limited to rectifying any defect at its option, as set out in paragraph 4(b).
6. Subject to the requirements of any applicable Act or legislation and to the extent permitted by law, no liability (whether expressed or implied) of any nature whatsoever, is accepted by Evocare for any consequential loss, damage or injury arising as a result of any fault in the Products.
7. This warranty does not extend to damage to Products which occurs during transit or transportation, or which is caused by any abuse, accident or improper installation, connection, use, adjustment or repair or use of goods otherwise than in accordance with instructions issued by Evocare.
8. The warranty on Products is waived if any addition or attachment to the Products do not have Evocare's approval or are not sold as Evocare products. The Products are designed to perform specific tasks under established test loads and unauthorised attachments may produce stresses for which the design is not appropriate.
9. The following applies to consumers who purchased a relevant Product in Australia:

Our goods come with guarantees that cannot be excluded under the Australian Consumer Law. You are entitled to a replacement or refund for a major failure and compensation for any other reasonably foreseeable loss or damage. You are also entitled to have the goods repaired or replaced if the goods fail to be of acceptable quality and the failure does not amount to a major failure.

WARRANTY

Evocare warrants this Rollator with Forearm Supports for a period of twelve months.

NOTE: This does not include staining or accidental damage from misuse or neglect.

Evocare must inspect the product within the warranty period for any claims lodged.

Evocare warranty does not cover product that has been modified from its original form.

For more information about your LM3880 Rollator with Forearm Supports, warranty or to order parts call 07 3355 8007.

E- mail: sales@evocare.com.au
Website www.evocare.com.au

Manufactured for:

Evocare Australia Pty Limited, 260 South Pine Road, Enoggera. QLD. 4051.

Phone: 07 3355 8000

FAX: 07 3355 5043