



# KA410A TOILET SEAT RAISER

A  Hills Healthcare Brand

**10 Year Anti Corrosion  
Warranty**

Thank you for purchasing this K-Care Toilet Seat Raiser. It is strongly recommended you read through this user manual prior to using your shower toilet seat raiser for the first time. Your toilet seat raiser should provide years of trouble free use, provided you adhere to the recommendations in this manual.

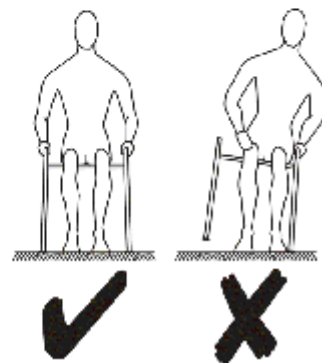
The standard **KA410A** toilet seat raiser is designed to accept a maximum user weight of **110 kilograms**.

**Should your requirements exceed those detailed above please contact your K-Care dealer for details of our Maxi Toilet Seat Raiser range.**

**Please note that maximum weight capacities will be reduced if the user applies their weight unevenly or forcefully.**

The **KA410A** toilet seat raiser will give you long lasting usage. It is designed for use in High Usage areas such as institutions and equipment loan pools.

This product is suitable for use in showers or bathrooms. It is suitable for use in wet areas but not swimming pools.



## INSTRUCTIONS FOR ASSEMBLY:

Your K•Care toilet seat raiser comes pre-assembled from the factory.

## MAINTENANCE:

Adhering to a regular maintenance schedule will significantly enhance the function of the toilet seat raiser. Ensure appropriate personal protective equipment (PPE) is worn when cleaning the toilet seat raiser.

### Care of Frame

- Wipe frame clean with a soft cream cleanser and rinse with water approximately once each week or after heavy use.

### Care of Seat

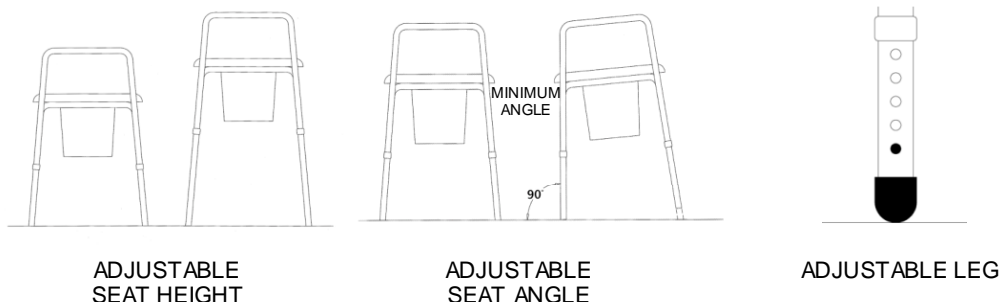
- LIGHT SOILING - wipe clean with a mild soap and warm water solution after each use. Dry with a clean cloth.
- HEAVY SOILING - wipe clean with a water diluted bleach. Avoid harsh cleaning agents and utensils (e.g. wire brush) as these can lead to the deterioration of the frame and seat.

## ADJUSTABILITY:

K•Care toilet seat raisers are designed for maximum comfort and assistance. We have provided push button style adjustable legs on our static range of toilet seat raisers. This feature enables users to alter not only the height, but also the seat angle to custom suit their personal needs. A toilet seat raiser set relatively high with an angled seat is easier to rise from and lower onto.

These popular features are incorporated throughout K•Care's product lines and make the universally compatible in almost all situations.

### TOILET SEAT RAISER ADJUSTABILITY



To adjust the height of the toilet seat raiser depress the button on the leg of the toilet seat raiser and slide the outer leg up or down to the desired hole position.

The button will automatically self engage to lock the leg in position. Ensure the button protrudes by a minimum of 2.5mm for the leg positioning hole. The toilet seat raiser is supplied with a multi hole leg to assist in positioning the stool on uneven surfaces. **WARNING: Do not sit in the toilet seat raiser and attempt to adjust the seat height.**

#### **WARRANTY:**

Hills Healthcare warrants this toilet seat raiser for the period detailed below.

12 Months structural warranty and 10 Year anti corrosion warranty against rusting on the external tube surface (Note: This does not include staining).

Hills Healthcare or an authorised Hills Healthcare dealer must inspect the product within the warranty period for any claims lodged.

Hills Healthcare is not liable for any costs borne from shipping of non-conforming product to place of inspection (e.g. distributor address). Hills Healthcare warranty does not cover product damage accidentally through misuse or neglect.

Hills Healthcare does not warrant product that has been modified from its original form. Due to logistical reasons it is imperative that you contact your place of purchase who will lodge an official claim on your behalf.



100 Mulgul Road  
Malaga WA 6090  
Telephone: +61 8 9248 4444  
Facsimile: +61 8 9248 4190  
[www.hillshealthcare.com.au](http://www.hillshealthcare.com.au)