

EZYFIT

EVOCARE AUSTRALIA PTY LIMITED

A.B.N. 98 078 566 604

Trading as **EVOCARE** and **L&M EQUIPMENT**

P.O. Box 1144, Stafford Qld. 4053

Ph: 07 3355 8000 Fax: 07 3355 5043

Website: <http://www.evocare.com.au>

E-Mail: sales@evocare.com.au

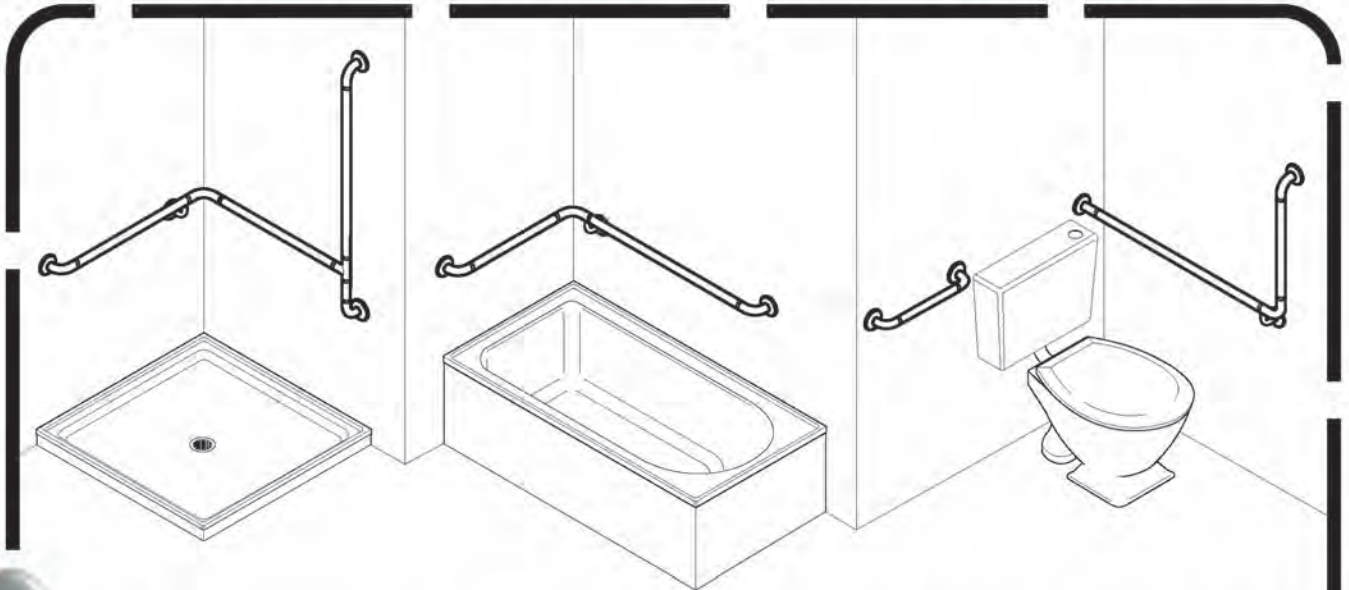
workshop@evocare.com.au



Quality
ISO 9001

A new and innovative **Modular Grab Rail System**
"excelling in service, quality and value"

Australian made to Australian Standards ~ AS 1428.1 - 2001



***The strength and durability of stainless steel,
with the convenience of easy
on-site assembly***

***Available; in standard 'satin finish'
or, powdercoated 'white' or
'almond ivory'***



To install in compliance with Australian Standards AS 1428.1-2001: apply construction adhesive to inside of tube at final assembly - and fasten;

- a minimum distance of 800mm from floor.
- with 600mm of clear space above rail.
- to withstand a force of 1100N at any point from any direction.

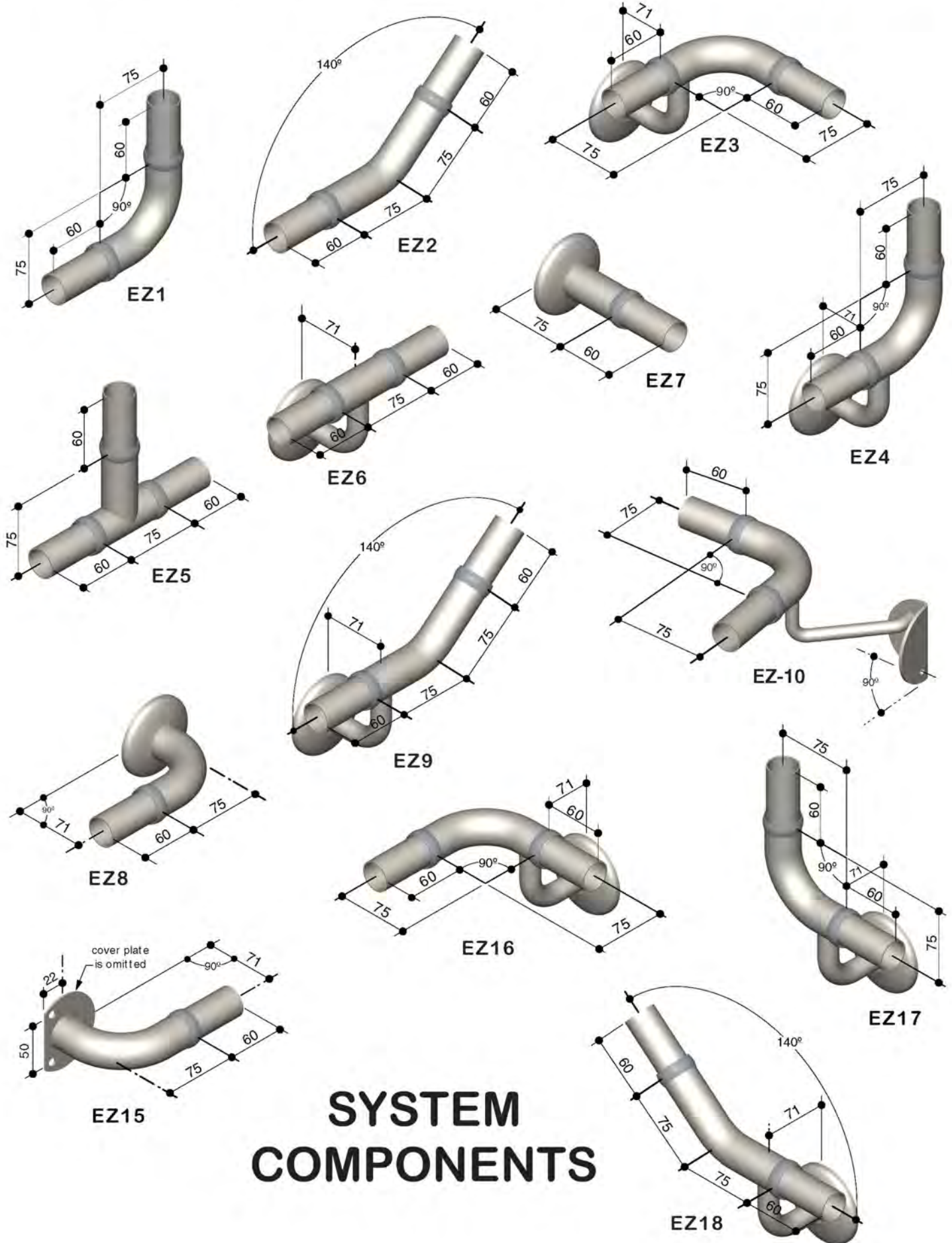
EZYFIT

MODULAR GRAB RAIL SYSTEM



www.evocare.com.au

Phone:07 33558000 Fax:07 33555043



SYSTEM COMPONENTS

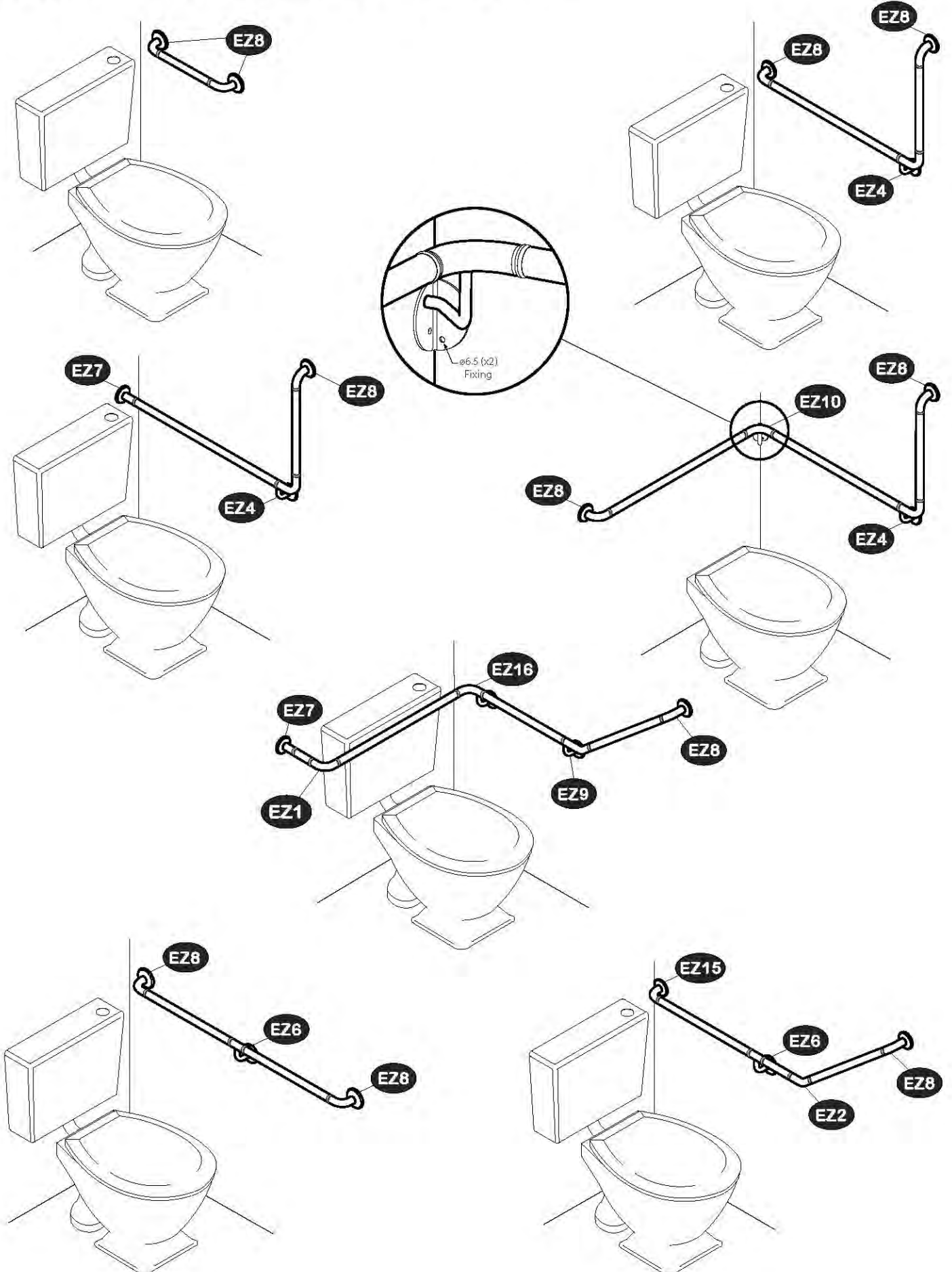
EZYFIT

MODULAR GRAB RAIL SYSTEM



www.evocare.com.au

Phone:07 33558000 Fax:07 33555043



EZYFIT

MODULAR GRAB RAIL SYSTEM



www.evocare.com.au

Phone: 07 33558000 Fax: 07 33555043

