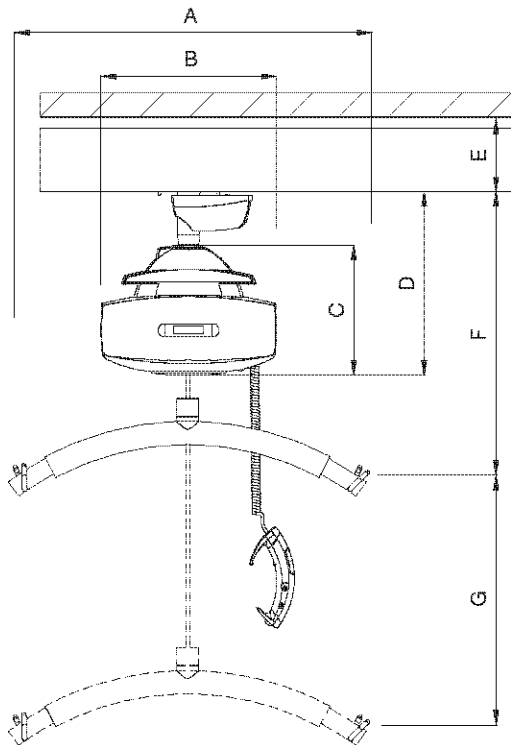


**GH2 F Ceiling Hoist**  
**Technical specifications**

**Guldmann™**



**Measurements**

A	: 595 mm
B	: 300 mm
C	: 222 mm
D	: 320 mm
E, min.	: 82 mm
F, min.	: 530 mm
G	: 1850 mm
Depth of hoist	: 197 mm

**Safety functions**

Emergency stop	: Yes
Emergency lowering	: Yes
Safety cut-off for strap	: approx. 45° longitudinally approx. 10° transversely

Battery protection at too low voltage : Switches off automatically when voltage goes below 17 volt

Periodic load, lifting motor (operation/pause) : Dynamic supervision (15/85)

**Electrical specifications**

Power supply	: 24V DC
Output charger	: 32VA
Voltage supply, charger	: 100-240V
Power consumption	: 8.5A at max. load
Max. power absorption	: 240VA
Charging time	: 2-3 hours (max. 8 hours)
Lead acid batteries, sealed, maintenance-free	: 2 pcs of 12V

**Functions**

**GH2 F**

Max. load	: 200 kg
Max. number of lifts in a series	: 80 at 85 kg/1000 mm 36 at 200 kg/1000 mm
Lifting speed	
85 kg load	: 1680 mm/min
200 kg load	: 1200 mm/min
max. 5 kg load	: 3300 mm/min (Dual-speed)
Sound level acc. to 3746	
Lifting motor	: 52 dB(A)

**GH2 F HD**

Max. load	: 250 kg
Max. number of lifts in a series	: 72 at 85 kg/1000 mm 28 at 250 kg/1000 mm
Lifting speed	
85 kg load	: 1680 mm/min
250 kg load	: 1020 mm/min
max. 5 kg load	: 3300 mm/min (Dual-speed)
Sound level acc. to 3746	
Lifting motor	: 52 dB(A)

**Weight GH2 F/GH2 F HD**

Lifting module	: 9.8 kg
Lifting module including travelling trolley	: 11 kg
Lifting hanger	: min. 2.0 kg

**Protection class**

Lifting module, travelling trolley, and hand control	: IP20
Positive action switch, lifting module	: IP67
Microswitch in hand control	: IP67

**Markings**

CE-marked according to DS/EN 10535	: Hoist for the transfer of disabled persons
EN 606001-1-2	: Medical electrical equipment
93/42/EEC	: Medical devices

**Item number/Model**

120001-xxxx	: GH2 F/GH2 F HD incl. charger and hand control
12460	: Travelling trolley for GH2 F/GH2 F HD
12007	: Transport trolley for GH2 F/GH2 F HD

**Classification**

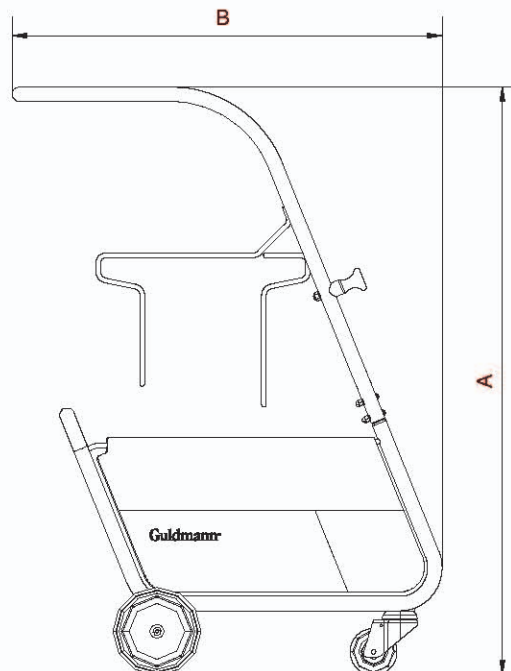
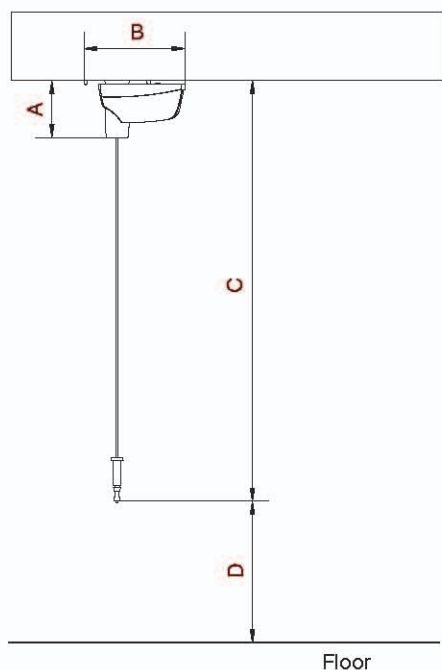
According to ISO 9999	: 12 36 12
-----------------------	------------

**Patents**

: PR 124766
: PR 124767
: BR 2001 00112
: MR 2001 00112
: PA 2004 01444
: PTC/DK2004/000641

**Travelling trolley and transport trolley for GH2 F  
Technical specifications**

**Guldmann™**



**Travelling trolley for GH2 F/GH2 F HD**

**Functions**

Max. load : 250 kg

**Weight**

Travelling trolley  
(with the exclusion of  
lifting modules  
GH2 F/GH2 F HD)

: 1.2 kg

**Measurements**

A : 98 mm  
B : 166 mm  
C\*, max. : 2800 mm  
D, min. : 650 mm  
D, max. : 750 mm  
Depth of travelling trolley : 84 mm

\*Cord length C adapted to height of rail during installation

**Item number/Model**

12460 : Travelling trolley for GH2 F/GH2 F HD

**Transport trolley for GH2 F/GH2 F HD**

**Functions**

Capacity, bag : 2-3 slings

**Weight**

Trolley including bag : 10.4 kg

**Measurements**

A : 1005 mm  
B : 735 mm  
Depth of transport trolley : 485 mm

**Item number/Model**

12007 : Transport trolley for GH2 F/GH2 F HD

**Time to care**

V. Guldmann A/S  
Graham Bells Vej 21-23A  
DK-8200 Århus N

 **Evocare®**  
www.evocare.com.au  
Phone:07 33558000 Fax:07 33555043