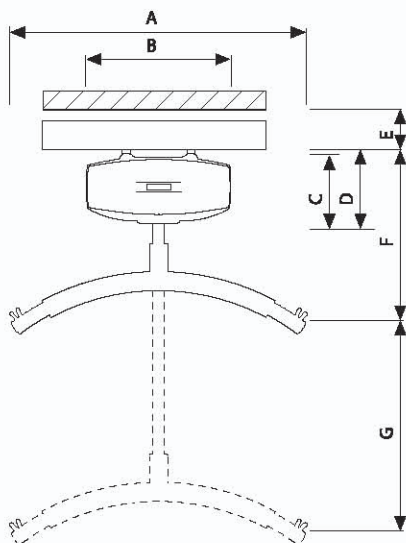


GH2 Ceiling Hoist Technical specifications

Guldmann™



Functions

Max. load	: 200 kg
Max. number of lifts in series (AC)	: 92 with 85 kg/1000 mm : 36 with 200 kg/1000 mm
Max. number of lifts in series (DC)	: 72 with 85 kg/1000 mm : 32 with 200 kg/1000 mm
Lifting speed:	
with 85 kg load	: 1680 mm/min
with 200 kg load	: 1200 mm/min.
with max. 5 kg load	: 3300 mm/min (Dual-speed)
Operation	: Hand control
Noise level	: 52 dB(A)

Weight and Materials

GH2	: 8.7 kg without lifting hanger
Covers	: Impact-proof recyclable plastic/ V0 fire-retardant

Measurements

A	: 595 mm
B	: 300 mm
C	: 148 mm
D	: 160 mm
E, min.	: 82 mm
F, min.	: 370 mm
G	: 2000 mm
Depth of hoist	: 197 mm

Safety Measures

Emergency stop	: Yes
Emergency lowering	: Yes
Lifting strap twist control	: Yes
Safety cut-off for strap	: Approx. 45°, driving direction. Approx. 10°, transverse direction

Electrical Parts

On/off	: Automatically. Soft start/stop. Overload-protected
Power consumption	: 240 VA
Periodic load (operation/pause)	: 15/85, internal supervision
Batteries	: 2 pcs of 12v/4 Ah Sealed and maintenance-free
Battery protection	: Switches off automatically when voltage goes below 17 volt. Indicator flashes to indicate voltage is critical
Electricity supply	: 24V AC/DC
Output transformer	: 40 VA
Output recharger	: 0.8 VA
Supply voltage transformer or recharger	: 100-230V
Charging time, max.	: 8 hours

Classification, tightness

Hoist and hand control	: IP 20
Microswitch for hand control:	IP 67

GH2+2 ceiling hoist with drive motor & GH2+2R ceiling hoist with drive motor and infrared remote control

Own weight:	: 9.0 kg without lifting hanger
Speed in straight rail with full load	: 15 cm/sec. Soft start/stop
Noise level:	: 52 dB(A)
Electricity consumption	: 2.5A with full load
Periodic load (operation/pause)	: 20/80

GH2 HD

Max. load	: 250 kg
Max. number of lifts in series (AC)	: 92 with 85 kg/1000 mm : 32 with 250 kg/1000 mm
Max. number of lifts in series (DC)	: 72 with 85 kg/1000 mm : 28 with 250 kg/1000 mm
Lifting speed:	
with 85 kg load	: 1680 mm/min.
with 250 kg load	: 1020 mm/min.
with max. 5 kg load	: 3300 mm/min. (Dual-speed)

Markings

CE-marked and TÜV-approved according to DS/EN 10535	: Hoist for the transfer of disabled persons
EN 60601-1-2	: Medical electrical equipment
93/42/EEC	: Medical devices

Item Number/Model

120001-xxxx	: GH2 incl. transformer/recharger and hand control
-------------	--

Classification

according to ISO 9999	: 12 36 12
-----------------------	------------

Patents

: PR 174766
: PR 174767
: BR 2001 00112
: MR 2001 00112
: PA 2002 01465

Time to care

V. Guldmann A/S
Graham Bells Vej 21-23A
DK-8200 Århus N

 **Evocare**[®]
www.evocare.com.au

Phone: 07 33558000 Fax: 07 33555043