

**EVO CARE CONTACT:**

Sales: 07 3355 8000

Fax: 07 3355 5043

Email: sales@evocare.com.au

Web: www.evocare.com.au

PO Box 1144, Stafford

Q 4053 Australia

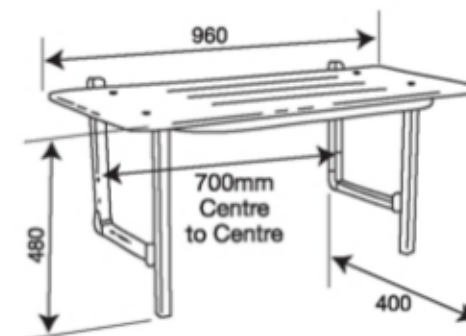
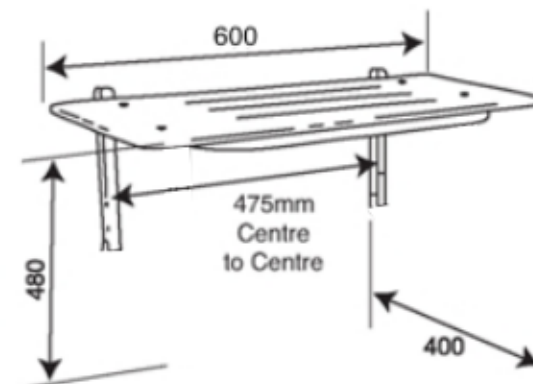
# Wall Mounted Shower Seats

**Call or email for more information**

## BTSS WALL MOUNTED SHOWER SEATS

### Features:

- Folds against the wall when not required
- White Plastic HMW with drain slots
- Durable stainless steel frame
- Powder coated Stainless Steel slatted shower seats — available on request



### Specifications

#### Code

BTSS-600

BTSS-960

BTSS-960SL (Slatted Top)

#### Dimensions

600mm Wide x 400mm Deep

960mm Wide x 400mm Deep

960mm Wide x 400mm Deep

