



Head Office & Customer Service
9-11 McKay Avenue
PO Box 373
LEETON NSW 2705

ABN 95 001 717 791

Drying Cabinet With Timer

□□□□□ □ □□□ □□ □ □□□



Operation, Maintenance and Installation Manual

Serial Number:..... Supplied to:.....
Date Installed:..... Installed by:.....

*Note: Due to Malmet's Policy of continuous product improvement;
design and technical specifications are subject to change without notice*

Table of Contents

<i>Forward</i>	3
<i>Quality Policy</i>	3
<i>Design Parameters</i>	4
<i>Section A – Unit Operation</i>	5
<i>Setting the Timer</i>	6
<i>Typical Loading System</i>	8
<i>Section B – Unit Maintenance</i>	9
<i>Trouble Shooting Guide</i>	9
<i>Wiring Diagram</i>	10
<i>Unit Installation</i>	11
<i>Unit Specifications</i>	12
<i>Warranty Statement – Australia Only</i>	13



Operation, Maintenance and Installation Manual

Forward

In order to obtain maximum life and efficiency from your Malmet Drying Cabinet and aid in the safe operation of the unit, please read and understand this manual thoroughly and follow all instructions before operating the unit.

The specifications supplied in this manual were in effect at the time of publication. However, owing to Malmet (Australia)'s policy of continuous improvement, changes to these specifications may be made at any time without notice on the part of Malmet (Australia).

Quality Policy

Malmet (Australia) is Quality Certified to ISO 9001, AS 3902, NZS 9002 and guarantees the quality of this product. Should you have any problems with your machine, contact the company from whom you purchased it, or Malmet (Australia).

Certifications

- ARTG Registration Number 188763 Class 1
- Electrical Safety: Certificate of suitability ASA13011501

Malmet (Australia) Pty Ltd

Head Office and Customer Service

9-11 McKay Ave

PO Box 373

LEETON NSW 2705

Distributor

EVOCARE AUSTRALIA PTY LIMITED

A.B.N. 98 078 566 604

Trading as **EVOCARE** and **L&M EQUIPMENT**

P.O. Box 1144, Stafford Qld. 4053

Ph: 07 3355 8000 Fax: 07 3355 5043

Website: <http://www.evocare.com.au>

Email: sales@evocare.com.au

workshop@evocare.com.au

warehouse@evocare.com.au

accounts@evocare.com.au





Operation, Maintenance and Installation Manual

Design Parameters

The cabinet is designed to dry surgical instruments and metalware, respiratory tubes or other tubing, face masks, anaesthetic bags and other ancillary equipment modified for Mines.

A total of six (3) stainless steel shelves is provided (1 standard and 2 modified). The shelves are removable, with 3 positions including the base.

The cabinet is insulated with 25mm approved type insulation.

Magnetic door latches are fitted with toughened bi-parting glass doors and gasket to ensure effective seal when the doors are closed.

All external panels are fabricated from satin finish stainless steel 0.9mm thick, 304/4 type.

A centrifugal fan is provided to circulate air throughout the chamber with a filtered air inlet duct on the RH side of unit

A solenoid operated damper is provided to allow damp air to be exhausted from the chamber. An inlet for make up air is provided.

The heating bank (located in the air duct leading to the chamber) is controlled by a micro-processor, which is factory set to 50°C.

The temperature of the air in the chamber is indicated on the controller mounted on the front panel.

Heating element over temperature cut out protection



Section A – Unit Operation

NOTE

The Drying Cabinet is factory set to 50°C

Before starting the Unit

The unit should be run initially on a power supply not protected by an earth leakage circuit breaker for approximately three hours. This will allow any moisture in the heaters to dry out. The unit can then be connected to an earth leakage circuit breaker protected circuit if required.

Plug into standard 240V outlet.

NOTE: The unit is recommended for use in a controlled temperature environment.

Starting the Unit

Power ON, the preset temperature of the cabinet appears for approximately five seconds. After five seconds the unit switches to display the actual cabinet temperature.

Changing the set temperature (lock out feature) AUTHORISED PERSONNEL ONLY

Authorised operators can change the temperature by holding the up and down temperature buttons at the same time for a total of 5 seconds. The temperature can then be adjusted. The setting will revert back to tamper proof 5 seconds after the temperature is adjusted or if the up and down temperature buttons are not pressed within 5 seconds.

The unit has a built in electronic over temperature cut out which will switch off the elements if the selected temperature is exceeded by 5°C, and 'Ot' will flash on the display panel. (See Fig 1)

Note: This safety cut out is an automatic reset device.

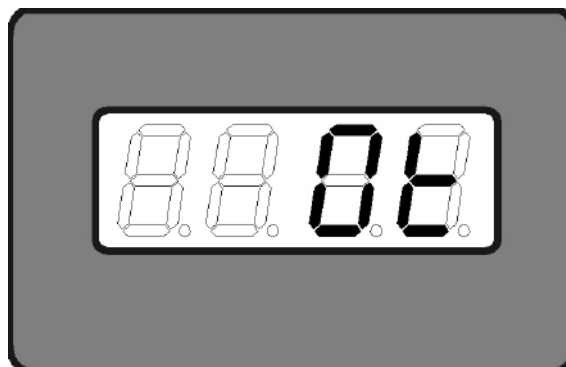


Fig 1

Place instruments and utensils upside down where applicable.



Operation, Maintenance and Installation Manual

Setting the Timer

Load DC chamber with components (refer to Diagram A: Typical Loading System). Press 'Power On' and Set Timer

To Set Timer:

- 1) Press 'Time Select'. The first digit will begin to flash (hour first)
- 2) Use 'Time Set' to advance the hours (0-6 hours).
- 3) Press 'Time Select' again. The second digit will flash (minutes x 10).
- 4) Use 'Time Set' to advance minutes in tens.
- 5) Press 'Time Select' again. The third digit will flash (minutes x 1)
- 6) Use 'Time Set' to advance minutes.

NOTE: Time may only be adjusted before 'Cycle Start' key is pressed.

Wait 5 seconds until all 3 digits are flashing in unison. Press 'Cycle Start'. Once 'Cycle Start' is pressed, 'Time Select' is locked out.

To reset 'Time Select' turn off unit and repeat steps 1 to 6.

Once 'Cycle Start' is pressed, the timer will start counting back. When the unit reaches its set temperature (50°C) the display will stop flashing to indicate count down.

If a buzzer sounds when the unit reaches 50°C then 'Time Select' was not pressed after setting the time. Press 'Time Select'.

At completion of cycle, timer panel will display 'END'. (See Fig 2)

NOTE: For next cycle, 'Time Select' will resort to default setting unless reset to another time setting.

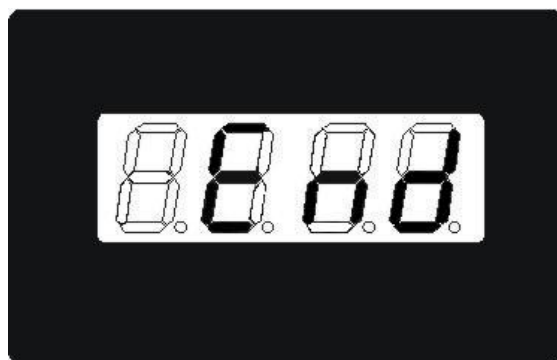


Fig 2



Operation, Maintenance and Installation Manual

Display Errors

If there is an error a buzzer will sound and 'err' will be displayed on timer board. (See Fig 3)

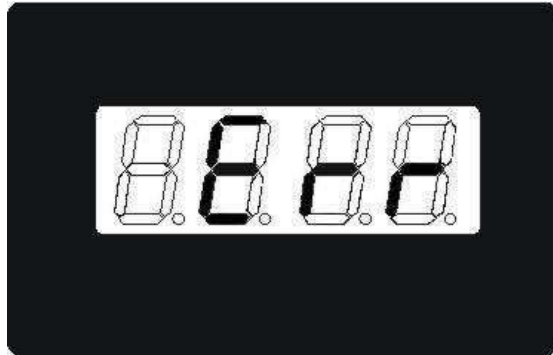


Fig 3

The error could be one of the following:

Problem	Suggested Remedy
Temperature Drops by 10°C during Cycle	Turn unit off and restart cycle. If problem reoccurs, switch off power supply at main and Call for Service.
Door is opened during cycle and temperature Drops 10°C.	Turn unit off and restart. Press Cycle Start.



Operation, Maintenance and Installation Manual
Typical Loading System




Diagram A



Operation, Maintenance and Installation Manual

Section B – Unit Maintenance

Preventative Maintenance

- Daily Wipe out inside doors and chamber with warm water and detergent.
Wipe over outside panels with stainless steel cleaner.
- Weekly Remove filter on air intake (top right hand side panel) and wash in warm water and replace when dry.
- Half Yearly Check electrical connections. Remove top panel and clean off accumulated dust and dirt.
-  **Note:** Disconnect power before removing top panel.
- Yearly Check and if necessary replace rubber in tube holding trays.

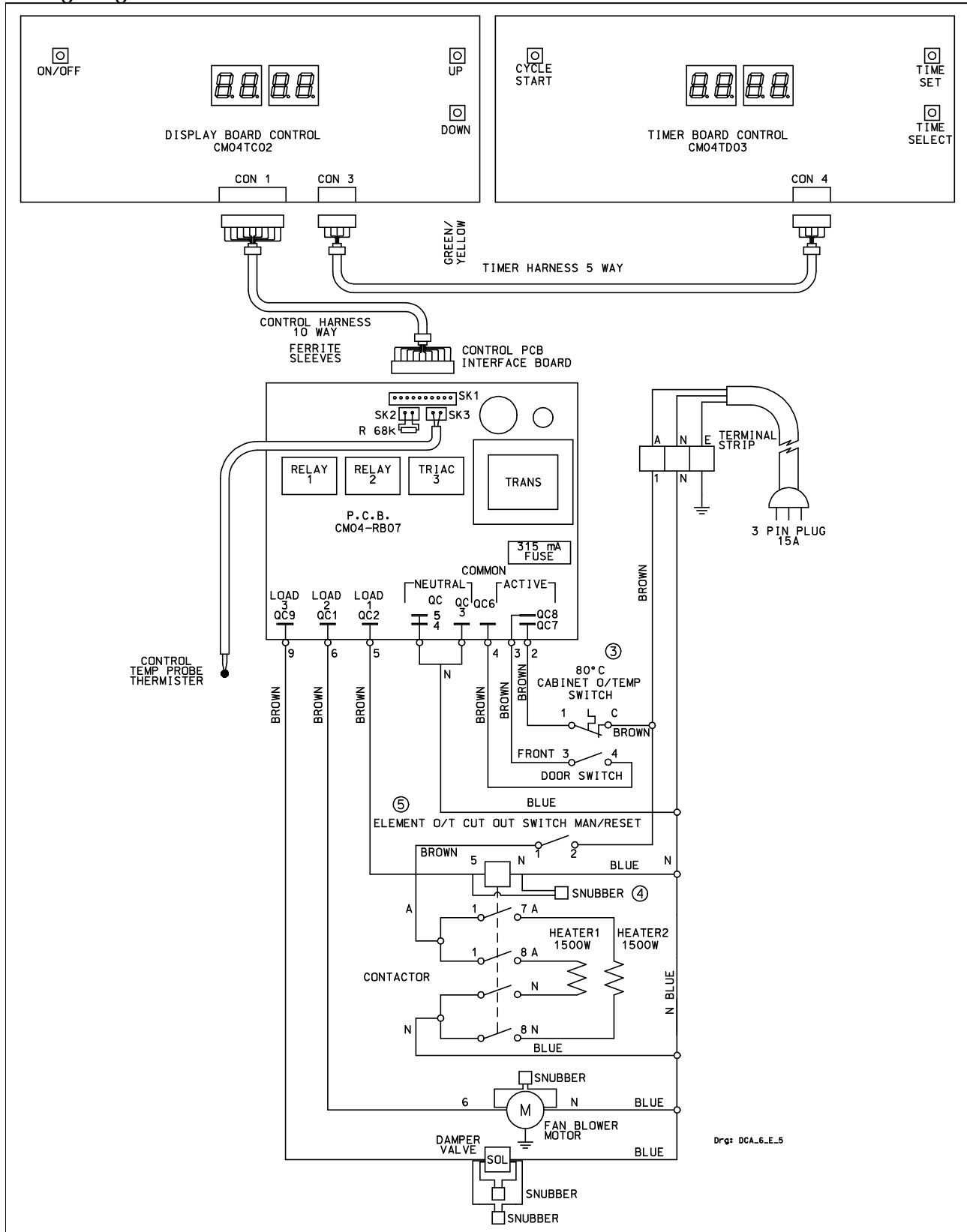
Trouble Shooting Guide

Problem	Probable Cause	Suggested Remedy
Display not on or won't turn on.	No Mains power supply. Power point not turned on. Display will not turn on. Faulty display board. Interconnecting harness failure. Relay board fault.	Check power supply and lead plugged in. Check power switched on. Press Standby button. Switch off power supply at main and Call for Service. Switch off power supply at main and Call for Service. Switch off power supply at main and Call for Service.
Display turns on. (Runs for approximately ½ - 1 hour then turns off).	Fan failure.	Switch off power supply at main and Call for Service.
Display is on but unit not heating.	Heating element failure. Relay board failure Thermostat cut-out switch open circuit.	Switch off power supply at main and Call for Service.
Display indicates Ot	Fan Failure. Heating element on. Continuously unable to switch off. (Relay Board Failure)	Switch off power supply at main and Call for Service. Switch off power supply at main and Call for Service.
Display indicates O/C	Control Temperature Thermistor is broken or unplugged.	Switch off power supply at main and Call for Service.
Display on but unit cooling down.	Heating element failure. Thermostat cut-out switch open circuit. Relay board failure.	Switch off power supply at main and Call for Service. Switch off power supply at main and Call for Service.



Operation, Maintenance and Installation Manual

Wiring Diagram





Section C – Unit Installation

The cabinet must be installed level on adjustable legs.

Service Connections

Provide 98mm OD duct to atmosphere.

Electrical Connection – 240 Volt 15 Amp cycle.

Plug into 15 Amp G.P.O.

Wall Recessed Units

Plug into a standard 240 Volt outlet. - Plug shall be accessible after installation.

Cabinet clearance space dimension (eg at least 150mm per side and 500 mm on top) are to be provided for the appliance.

All electrical service work must be accessible through the top of unit.

Position the unit in the cavity, ensuring that the that doors can be open and shut with clearance for the doors at hinge point.

NOTE:



This appliance is not intended for use by persons (including children) with reduced physical, sensory, or mental capabilities, or lack of experience and knowledge, unless they have been given supervision or instruction concerning use of the appliance by a person responsible for their safety. Children should be supervised to ensure they do not play with the appliance.

If the supply cord is damaged, it must be replaced by the manufacturer or its service agent or a similarly qualified person in order to avoid a hazard.



Operation, Maintenance and Installation Manual

Unit Specifications

Electrical Rating	Volts	240V
	Phase / Hz	1 ph / 50 Hz
	Amps	13.8 Amps
Electrical Connection	IEC Power Cord with 3 Pin Plug	15 Amp (into standard GPO 240 Volt)
Elements	Rated	1500 watt x 2
	Over temp cut out protection	Manual reset thermostat cut-out switch factory set 90°C
Control PCB	Microprocessor Control Relay	PCB (SKCM325) Access via compatible RS232
	Overtemp Protection	Electronic cutout @ 5°C above set point
Temperature Control	Incremental 1°C – 70°C	Factory set at 50°C
Secondary Overtemp Protection	Hight Limit 85°C	Auto reset thermostat factory set 85 to 90°C
Materials	Doors	Bi-parting, protruding 330mm out when open.
	Door Gasket	Silicon Rubber
	Cabinet	304/4 stainless steel
Air Circulation	Air Vent spigot 98Ø outside	Automatic Damper Control, to be vented to outside atmosphere.
	Air Filter (mm)	150mm x 150mm x 15mm - washable
	Air Bleed Off	Automatic Damper Control



Operation, Maintenance and Installation Manual



Malmart (Australia) Pty Ltd

Website: www.malmart.com.au



Warranty Statement

Subject to the following conditions, we provide, from the date of purchase, the following warranty on Malmart units and spare parts:

- Functional components found within the unit to be defective in workmanship or material will be repaired or replaced free of charge subject to the periods of warranty specified.
- A decision regarding whether the defective components will be repaired or replaced will be determined at the sole discretion of Malmart (Australia) Pty Ltd (“Malmart”) or its authorized agents or representatives.
- The structural warranty covers any structural components within the unit, which fail to perform their intended function due to faulty manufacture or deterioration within the warranty period.

This warranty only covers products manufactured by Malmart.

This warranty covers Australia Only.

Parts replaced in units under warranty are warranted for the balance of the original warranty period for that unit.

Malmart Units	
Unit Components	Parts & Labour
Structural Guarantee	1 Year from Date of Purchase
All other components	1 Year from Date of Purchase of unit
Malmart Spare Parts	
1 year from Date of Purchase	

This warranty is provided, and operates in addition to, the statutory warranties Malmart provides you as a consumer under the Australian Consumer Law or by virtue of any other applicable legislation.

CONDITIONS AND EXCLUSIONS

- Equipment must be installed according to our instructions (outlined in our Operation, Maintenance and Installation Manual) and operated to the purpose it was designed.
- To the extent permitted by law, this warranty shall not cover damage, malfunction or failure resulting from accident, misuse or misapplication, improper or unauthorised repair, neglect or modification or use of unauthorised replacement parts or accessories, inclusive of detergent, or improper voltage. The warranty shall be void if the serial number is removed or altered.
- Parts damaged in transit back to Malmart Leeton due to poor packaging could result in warranty claim being rejected.



Operation, Maintenance and Installation Manual

- Any part tampered with or which has been altered by unauthorised repairs and or modifications, will be rejected under a warranty claim.
- Reasonable access must be allowed for maintenance. If any additional equipment is needed to provide access to the unit, this must be provided (and paid for) by the owner.
- It is the owner's responsibility to provide safe access to the unit. Malmet, or any of its authorised service outlets, may refuse to perform maintenance or warranty work if access is unsafe, as determined by Malmet or any of its authorized service outlets at their sole discretion (acting reasonably).
- Should a warranty claim be rejected you will be advised in writing with a full explanation of our reasons.
- It is our policy to have a Warranty Claim Procedure that is fair to our customers and provides an efficient system of replacement and/or repair of faulty parts. If at any time you believe we are not meeting our commitment to you please contact Malmet Head Office – Leeton by telephone on (02) 6953 7677 or in writing to PO Box 373, Leeton NSW 2705.
- To the extent permitted by law, no responsibility will be accepted for outside elements including, but not limited to storms, pest and vermin that may cause damage to the unit.
- To the extent permitted by law, no responsibility will be accepted for damage incurred as a result of, or incidental to, electrical surges or brown outs or for any other consequential damages.
- If there is no certificate of compliance for plumbing or electrical, Malmet reserves the right to refuse service on non-compliant installations.
- To the extent permitted by law, claims for damage to contents, carpet, ceilings, foundations or any other consequential loss either direct or indirect resulting from, power spikes, incorrect operation, incorrect installation, faulty product or any other cause, are excluded.
- This warranty, and to the extent permitted by law, any warranties owed by Malmet under the Australian Consumer Law or other applicable legislation, are not transferrable and cannot be sold, assigned or transferred in any other way from the purchaser to any other person.
- To the extent permitted by law, unauthorised use of any parts that were not supplied or approved for use in the applicable unit by Malmet will result in this warranty and any warranty claims applicable to that unit being void.
- Warranty labour (service work) shall not include units located outside of city metropolitan areas. Costs outside these areas shall be borne by the Customer. The Customer shall be notified of this prior to the warranty call out.

To the extent permitted by law, a charge will be made for work done or a service call made where:

- There is no default apparent with the unit, as determined by Malmet or its authorized representative or agent at their sole discretion (acting reasonably).
- The defective operation of the unit is due to failure of electricity or water supply.
- Defects are caused by neglect, incorrect application, abuse or by accidental damage of the unit.
- An unauthorised person has attempted to repair the unit.
- Harsh environmental situations including, but not limited to, water quality that may cause the water tank damage can not be considered warranty.



Operation, Maintenance and Installation Manual

HOW TO MAKE A CLAIM UNDER THIS WARRANTY

If you believe there is a defect in a unit you have purchased from Malmét, you must notify Malmét in writing of such defect, by sending a letter (“**Notice of Defect**”) to Malmét at PO Box 373, Leeton NSW 2705 prior to the expiration of the applicable warranty period set out in this warranty.

For the avoidance of doubt, Malmét must receive your Notice of Defect prior to the expiration of the warranty period, and will be deemed to receive such Notice of Defect one business day (in the state of New South Wales) after you post the Notice of Defect.

To the extent permitted by law, Malmét will not reimburse you for any expense you incur in claiming or attempting to make a claim for repair or replacement of a component under this warranty.

Date Sold: Warranty Expiry Date:

Sold To:

For Service Contact:

A large empty rectangular box with a black border, intended for the name of the person to whom the unit was sold.A large empty rectangular box with a black border, intended for the name of the person to contact for service.

PROOF OF PURCHASE

It is important that the name of the distributor from whom you purchased your product and the name of the installer are recorded at the front page of this manual. The installer is responsible for the correct installation, start up and demonstrating the operation of this product. They are also responsible for issuing the relevant certificates of compliance (these may differ from state to state).

Please attach your proof of purchase. Your receipt/invoice is your warranty and will be required to validate any warranty.

E.&O.E.

In the interest of continued product improvement, Malmét (Australia) Pty Ltd reserves the right to alter specifications without notice.

AUSTRALIAN CONSUMER LAW DISCLAIMER:

Our goods come with guarantees that cannot be excluded under the Australian Consumer Law. You are entitled to a replacement or refund for a major failure and for compensation for any other reasonably foreseeable loss or damage. You are also entitled to have the goods repaired or replaced if the goods fail to be of acceptable quality and the failure does not amount to a major failure.

EVOCARE AUSTRALIA PTY LIMITED

A.B.N. 98 078 566 604

Trading as **EVOCARE** and **L&M EQUIPMENT**

P.O. Box 1144, Stafford Qld. 4053

Ph: 07 3355 8000 Fax: 07 3355 5043

Website: <http://www.evocare.com.au>

Email: sales@evocare.com.au

workshop@evocare.com.au

warehouse@evocare.com.au

accounts@evocare.com.au



Manufactured by
Malmet (Australia)
ABN 95 001 717 791

www.malmet.com.au