

BATTERY PACK BAJ1 / BAJ2

Features:

- *Functional and elegant design*
- *High battery capacity: 24 V DC, 1 x 2.9 Ah (Normal speed (LA32JKSM and CBJ1), Thrust up to: 6000 N, The actuator does not reach the end position at any time, Stroke: S = 200 mm)*
- *By means of a snap system the battery pack can easily be mounted on the charger and/or the control box using LINAK mounting brackets*
- *Protection class: IPX5 (only when mounted vertically) - only for BAJ1. Protection class (Not defined)*
- *Colour: Bottom charcoal grey (RAL 7016) and top grey (RAL 7035)*
- *DC socket for charging of the battery by means of the CH08 wall charger (not medically approved) - only for BAJ2*

Options:

- *Colour: pale grey bottom (RAL 7035)*
- *Customised front cover*
- *Battery cover*

Usage:

- *Duty cycle: 10 % or 2 min. continuous use then 18 min. not in use*
- *Ambient temperature: +5° to +40° C*
- *This battery pack is a part of the JUMBO system. It is compatible with CBJ1/CBJ2 and CHJ2*
- *Approved according to EN 60601-1, CAN/CSA-C22.2 No. 601.1-M90 and UL 2601 (Medically approved)*

MEDLINE
IMPROVING EFFICIENCY
CARELINE
IMPROVING EFFICIENCY



These battery packs have been specially developed for use with the JUMBO system.

The battery packs are easy to exchange through an integrated snap system.

The battery packs are easily mounted on the JUMBO mounting brackets.

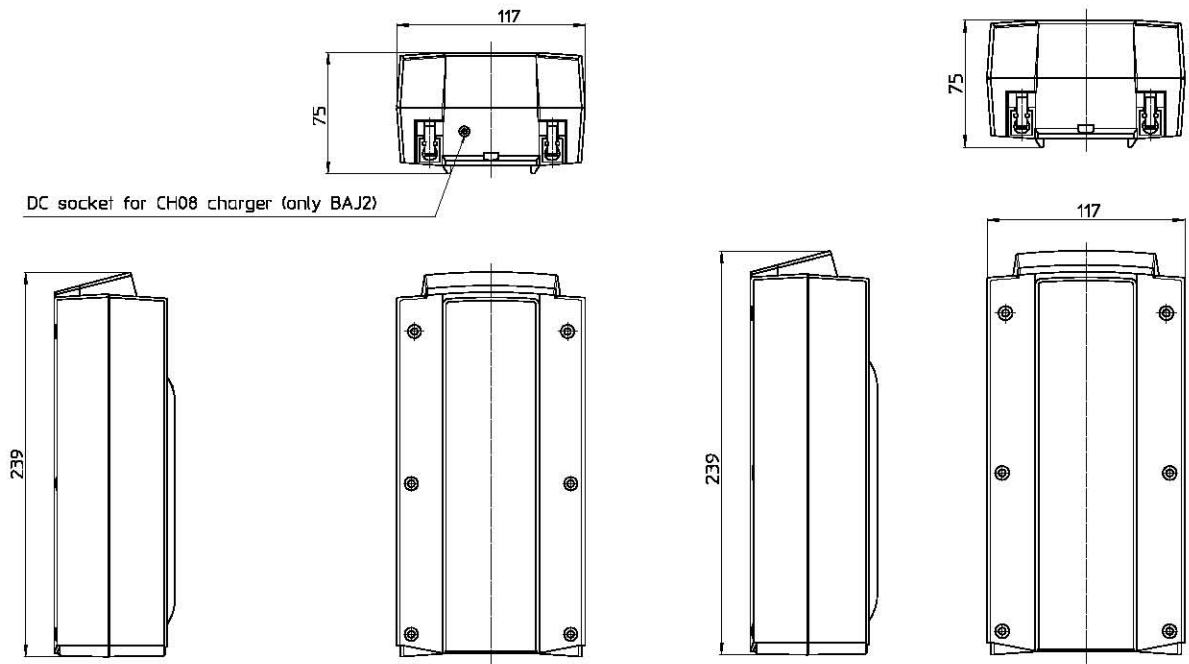
A customised front cover is possible.

BAJ1 has to be charged with a JUMBO charger CHJ2 or a JUMBO control box CBJ1 or CBJ2 with integrated charger.

BAJ2 can be charged as BAJ1, but can also be charged through an integrated DC-plug for use with charger CH08.

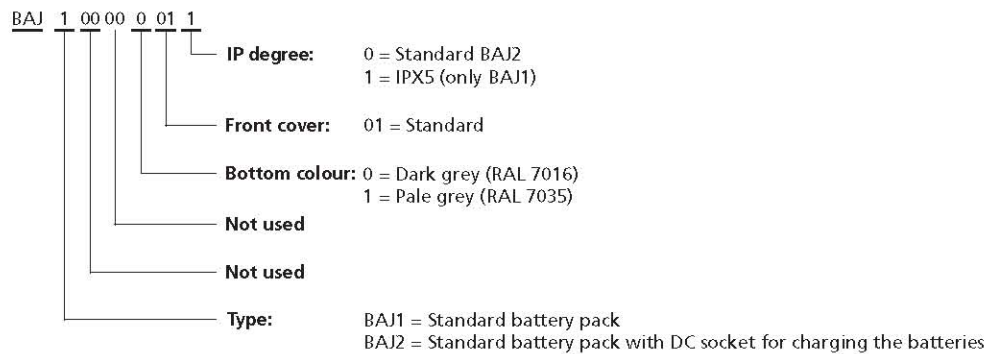
BAJ1

BAJ2



BAJ1 / BAJ2

Ordering example:



Terms of use

The user is responsible for determining the suitability of LINAK products for specific application. LINAK takes great care in providing accurate and up-to-date information on its products. However, due to continuous development in order to improve its products, LINAK products are subject to frequent modifications and changes without prior notice. Therefore, LINAK cannot guarantee the correct and actual status of said information on its products. While LINAK uses its best efforts to fulfill orders, LINAK cannot, for the same reasons as mentioned above, guarantee the availability of any particular product. Therefore, LINAK reserves the right to discontinue the sale of any product displayed on its website or listed in its catalogues or other written material drawn up by LINAK. All sales are subject to the Standard Terms of Sale and Delivery for LINAK. For a copy hereof, please contact LINAK.



Phone:07 33558000 Fax:07 33555043