

Linen Skips

PATIENT CARE

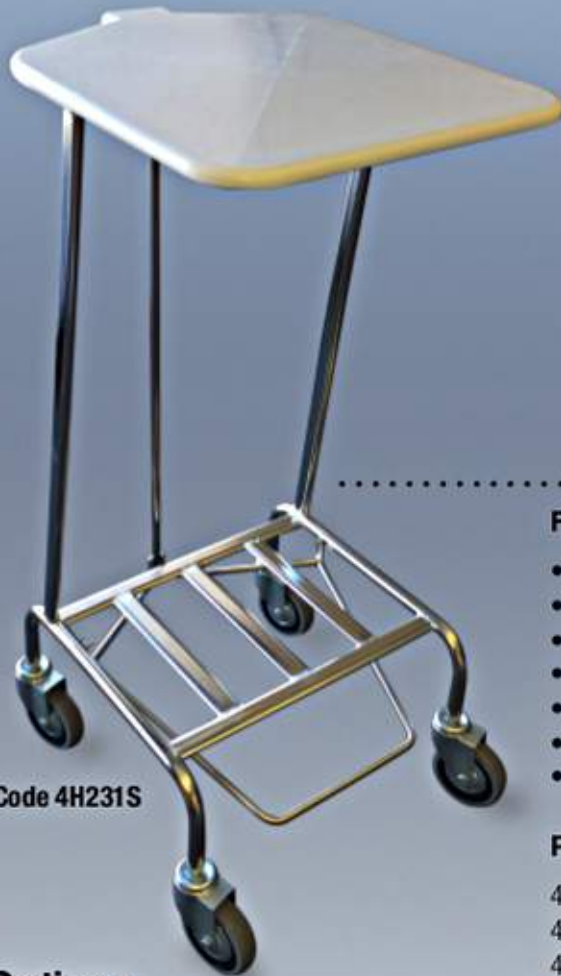


 **4Healthcare**

4healthcare.com.au • sales@4healthcare.com.au • 4/10 Uppill Place Wangara WA 6065

 **Evocare**[®]
www.evocare.com.au
Ph: 07 3355 8000 Fax: 07 3355 5043
Email: sales@evocare.com.au

Linen Skips


Code 4H231S

Features

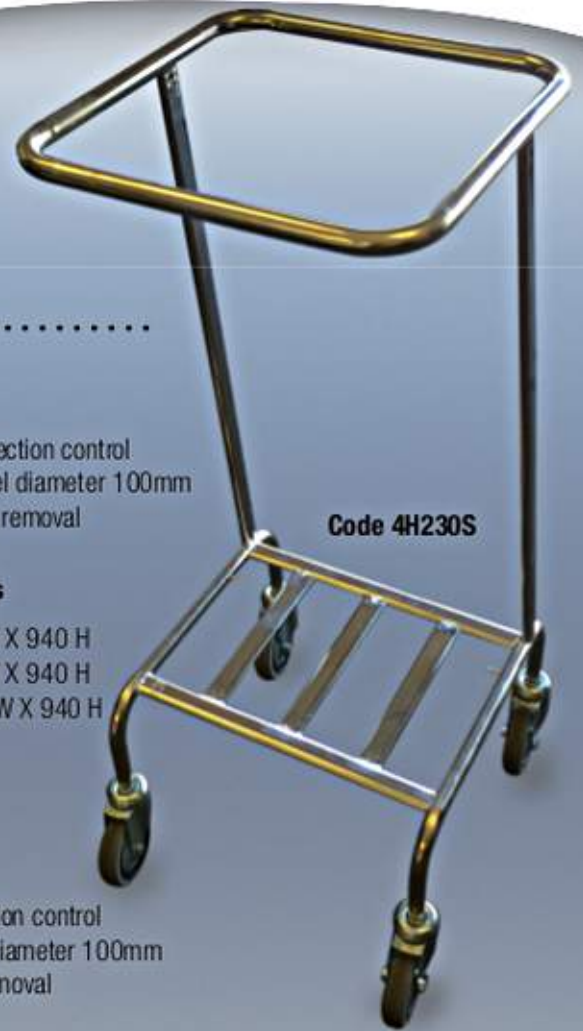
- All stainless steel construction
- All joints fully welded - assists with infection control
- Heavy duty grey rubber castors - swivel diameter 100mm
- Uprights are fixed at rear for swift bag removal

Product Codes

- 4H230S - Single
- 4H230D - Double
- 4H230T - Triple

Dimensions

- 430 L X 430 W X 940 H
- 430 L X 860 W X 940 H
- 430 L X 1280 W X 940 H


Code 4H230S

Features

- All stainless steel construction
- All joints fully welded - assists with infection control
- Heavy duty grey rubber castors - swivel diameter 100mm
- Uprights are fixed at rear for swift bag removal
- Polypropylene white plastic lid
- Large foot pedal to operate lid
- Lid labels - 1 set

Product Codes

- 4H231S - Single
- 4H231D - Double
- 4H231T - Triple

Dimensions

- 460 L X 430 W X 945 H
- 920 L X 430 W X 945 H
- 1360 L X 430 W X 940 H

Options


Buffer Discs
4H230BD

Lid Labels
4H231L

Labels

Colour coding adhesive labels for identification. Standard labels supplied with trolley. Colours are blue, red, green and yellow.

